



Divator breathing valve

This safety advice applies to all Divator breathing valves with serial number 1631001 to 2107999 and spare part kits containing valve inserts with manufacturing date August 1st, 2016 to February 9th, 2021. Older breathing valves may also be affected by this bulletin if they have undergone service and had valve inserts fitted that were manufactured during this period.

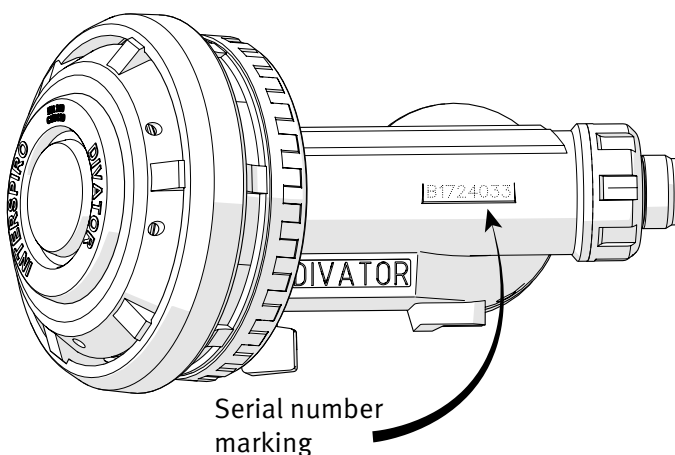
There could be exceptional circumstances where the air delivery through the unit could be restricted or even potentially ceased due to mechanical damage on the lever support. Such damage can occur if the lever height is adjusted incorrectly or if the lever on a removed valve insert is handled in such a manner that it is angled over by more than 50 degrees. Damage can also occur during normal use by wear.

By replacing the lever with a new version the risk of this failure mode is eliminated. The lever support with sealing diaphragm must be replaced at the same time. The replacement procedure is required to be performed by a certified service technician according to the instructions detailed in Service Bulletin 34268B01US.

The following visual inspection procedure shall be performed as soon as possible.

- If damage is detected, or if the lever height is too low, the replacement must be carried out **before using the breathing valve again.**
- If no damage is detected and the lever height is within the approved range, the parts must be replaced **at the next annual service.**

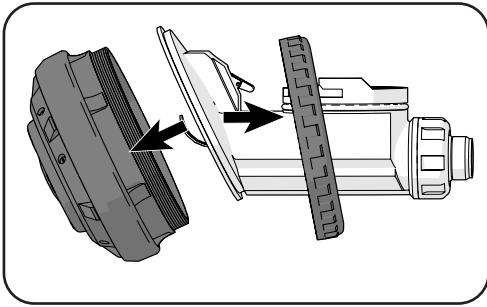
For technical questions contact:
Product Manager: matt.pederson@interspiro.com
Technical Sales Manager Dive: aaronobrien@interspiro.com



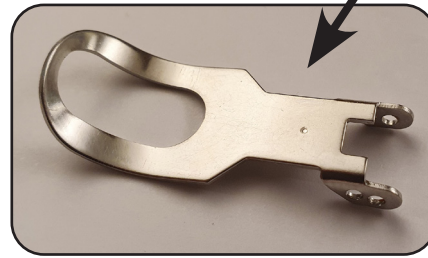


Visual inspection

1. Remove the exhalation unit.



2. Check if the lever has a punched dot on it. If it has a dot, it is the new version and there are no need to check the lever height or inspect the surfaces of the lever support.

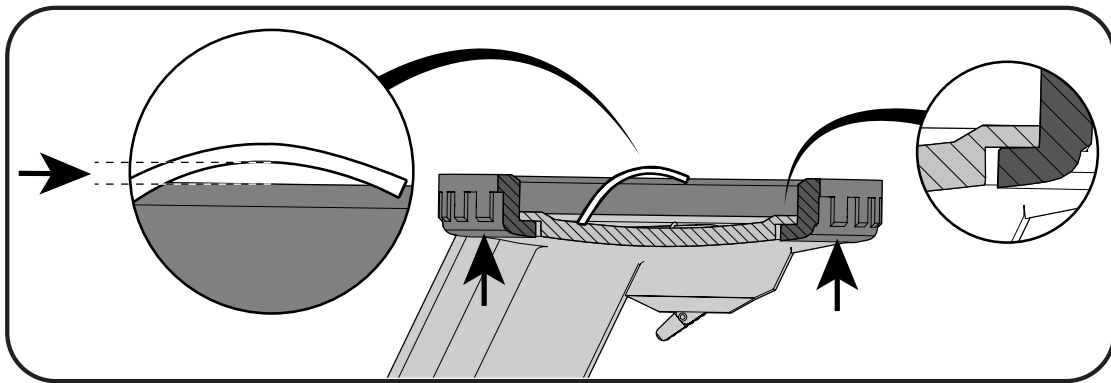


3. Check the lever height. If it is too low, replacement must be done before the next use, as this may be a sign of wear without visible damage.

Remove the exhalation unit except the locking ring. Push the locking ring upwards so that it lies against the edge. Check that you can see a gap between the lever and the upper edge of the locking ring. This test method is only for checking if the lever is too low and has no upper limit.

Important! Hold the breathing valve upwards as shown in the image.

Important! It is not permitted to manually bend the lever to make a gap.



4. Check the contact surfaces on the lever support.

Check that the contact surfaces and the outside surface of the lever support is undamaged. If it is damaged like indicated by the red arrows in the images, the parts must be replaced before the next use.

