

Product Bulletin

Doc. No. 33979A01

New locking mechanism on Inspire ambient air hatch

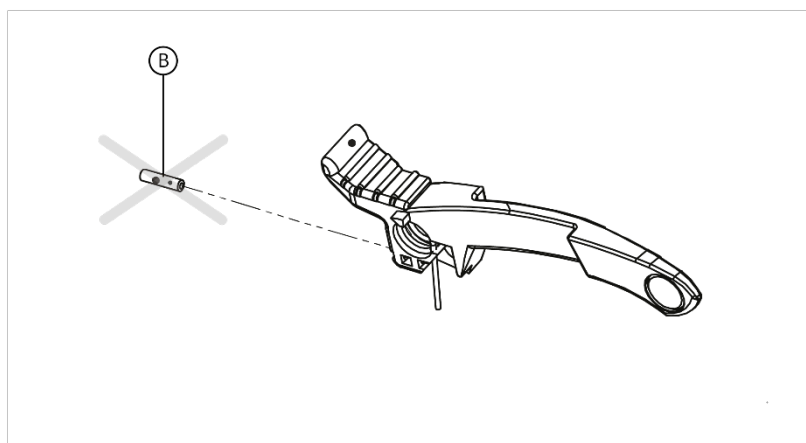
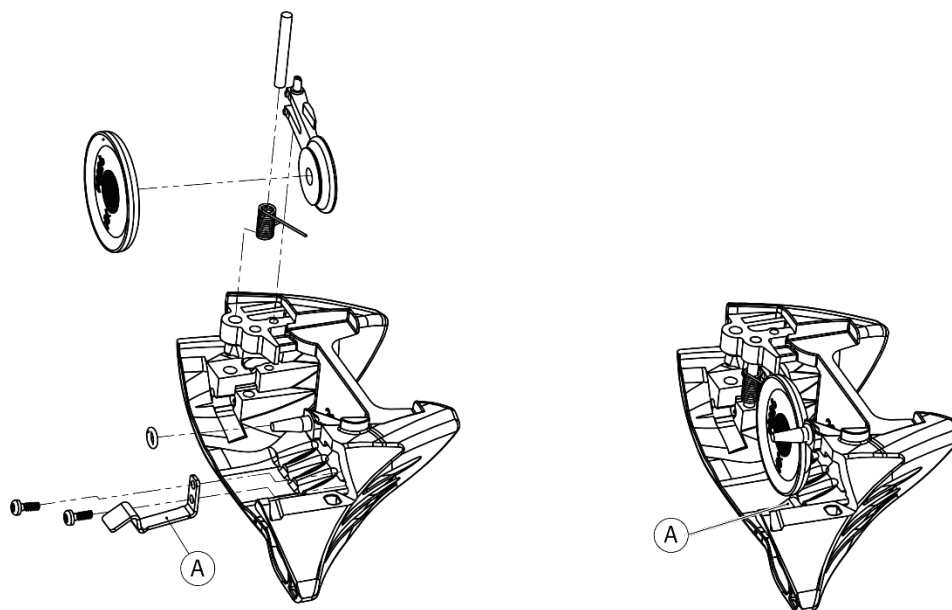
Announcement

STOCKHOLM 2019

New locking mechanism introduced on Inspire ambient air hatch. Adjusting screw on indicator arm removed.

Description

A new spring-loaded locking tab has been introduced on the Inspire exhalation valve cover. The locking tab (see pos. A image below) keeps the exhalation cover in closed position when the indicator arm is pushed down. This new locking mechanism with the locking tab replaces the adjusting screw (see pos. B below) on the indicator arm.



Part numbers for masks and spare parts remain the same.

To upgrade mask with the new locking mechanism the exhalation valve needs to be replaced, using part number 99477-55.

Interspiro AB

P.O. Box 2853, 187 28 Täby, Sweden | Phone +46 8 636 51 00 | www.interspiro.com