

# Divator RS4 regulator

Spare parts list

**© 2019 Interspiro AB, Sweden.** This publication contains or refers to proprietary information which is protected by copyright. All rights are reserved. Interspiro®, are registered trademarks belonging to Interspiro.

This publication may not be copied, photocopied, reproduced, translated, or converted to any electronic or machine-readable form in whole or in part without prior written approval from Interspiro.

# READ BEFORE USE

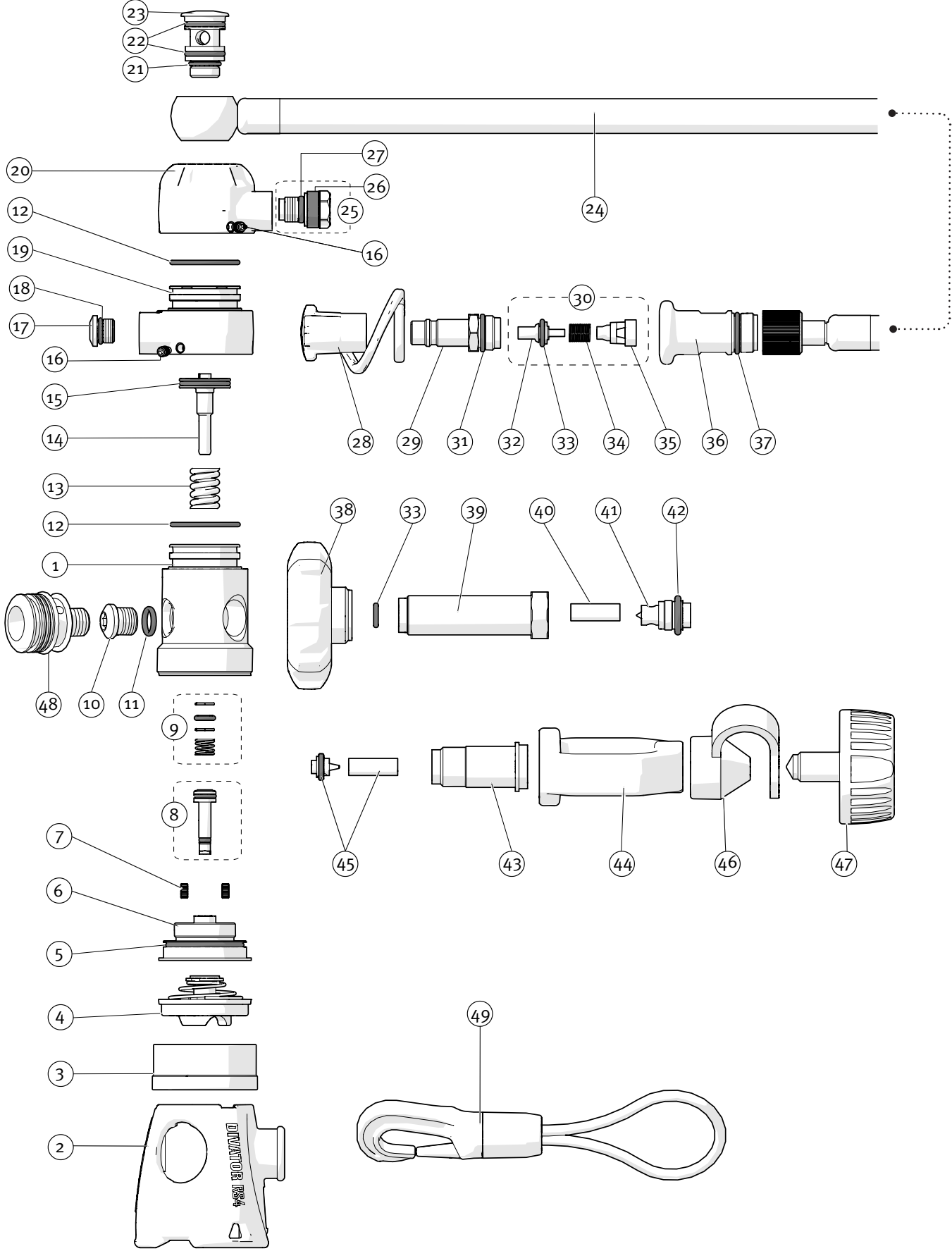
- 1.** Only holders of a valid **INTERSPIRO Service Certificate** may carry out service and repairs on **INTERSPIRO** breathing equipment. Unauthorized service may result in malfunction and users relying thereon could sustain severe respiratory injury or death.
- 2.** When using the spare part list always refer to the equipment's **SERVICE MANUAL** in regard to procedure and handling of the spare parts assembly and function.
- 3.** Changes to this document – necessitated by typographical errors, inaccuracies of current information or improvements and changes of equipment – may be done at any time and without prior notice.
- 4.** The **NOTES** column is used for short descriptions of the spare part, for example dimensions or number of included sub components. For example "10 x 336 100 437" indicates that this is a multi-pack that consists of 10 pieces of the single component 336 100 437.
- 5.** The service kits contain replacement items used for preventive maintenance.
- 6.** Always refer to **[www.interspiro.com](http://www.interspiro.com)** for product or document updates and for service bulletins.



# CONTENTS

RS4 REGULATOR .....	6
HOSES AND PRESSURE GAUGE .....	8

RS4 regulator

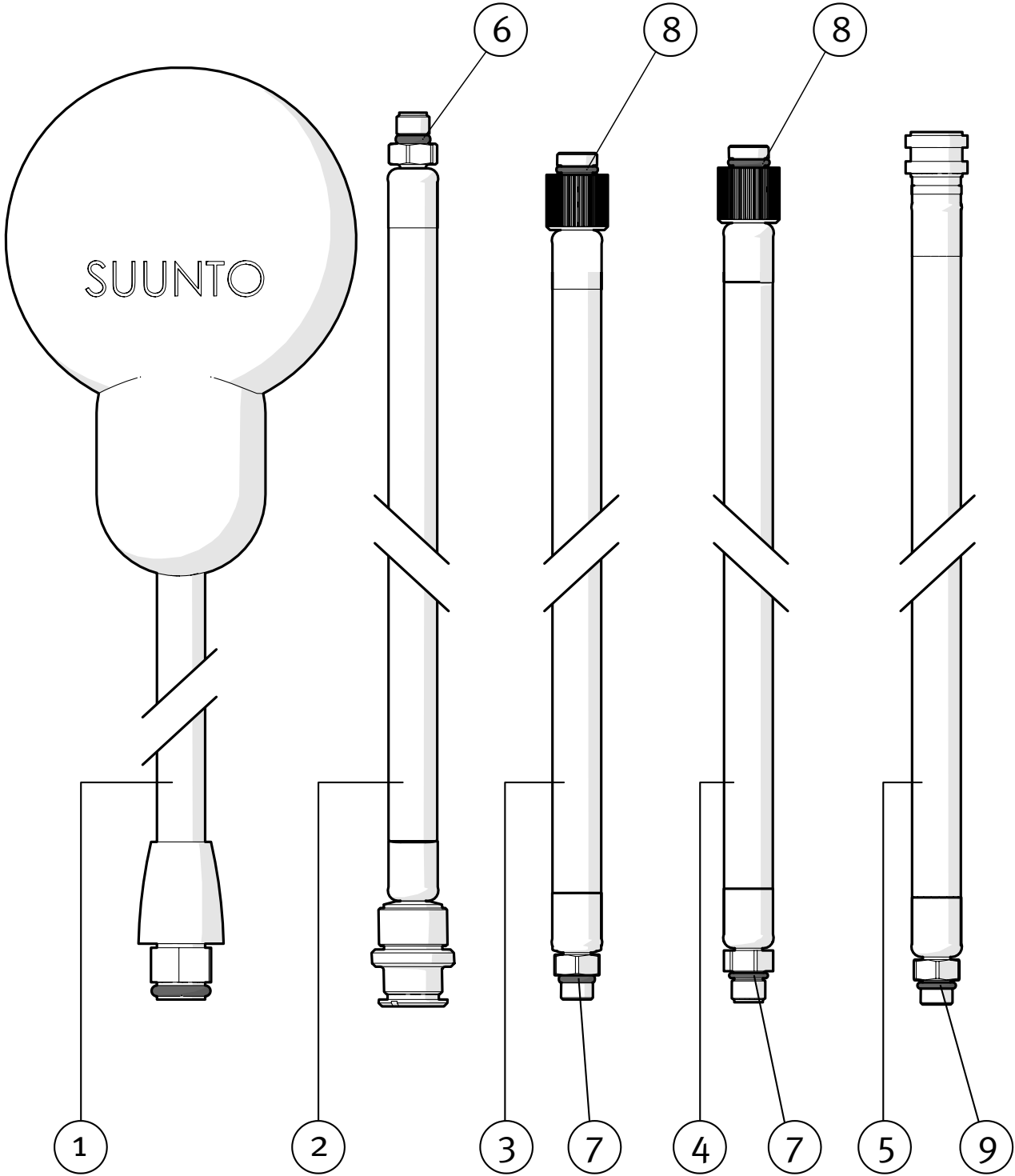


## Divator RS4 regulator

#	ORDER NO.	DESCRIPTION	NOTE
1	-----	Regulator housing	
2	32904-01	Rubber casing	
3	88286-01	Diaphragm nut	
4	88180-01	Safety pressure unit	Incl #12
5	336190790	O-ring, EPDM, 29.1x1.6	10 x 336900268
6	88288-01	Spring housing	
7	99732-04	Stop screw	
8	97698-51	Valve seat assembly	1 x 88289-01, 1 x 346900015, 1 x 331900138
9	97698-52	Supporting washers, O-ring (EPDM 2.6x1.3) and spring	2 x 336100131, 1 x 336900123, 1 x 336100280
10	97192-51	Blind plug	
11	336190381	O-ring, EPDM, 8.73x1.78	10 x 336900106
12	336190229	O-ring, EPDM, 25.12x1.78	10 x 336900041
13	346190026	Regulating spring	5 x 346100005
14	460190386	Piston	
15	346190022	O-ring, NBR, 17.2x1.8	10 x 346900002
16	89129-01	Screw	
17	88299-01	Plug 3/8-24 UNF	
18	336900390	O-ring, Nitrile, 7.6x1.6	
19	32902-02	Additional cover	
20a	32902-01	Basic cover	
20b	32902-03	Cover for DP1	
21	460190091	O-ring, NBR, 10.1x1.6	10 x 944610208
22	346190021	O-ring, NBR, 13.1x1.6	10 x 346900001
23	32906-01	DP1 connection swivel lock	
24	32912-01	DP1 connection hose	
25	30660-51	Over pressure valve	incl # 50, 51
26	346190053	Protective band	10 x 346100066
27	336190311	O-ring, NBR, 8.1x1.6	10 x 944610206
28	31391-51	Dust cover, small	10 x 31391-01
29	88148-51	DP1 connection	
30	346190223	Non return valve kit	incl # 31, 32, 33, 34
31	346190069	O-ring, 12.1x1.6	10 x 944610210
32	336100404	Valve guide	
33	336190232	O-ring, EPDM, 4.3x2.4	10 x 336900044
34	336100162	Spring	
35	336100405	Valve cone	
36	88148-51	DP1 connection housing	
37	336190228	O-ring, Nitrile, 12.42x1.78	10 x 336900007
38	98520-51	Hand wheel	
39	460190384	Connection nipple	
40	346190643	Inlet filter	10 x 212100014
41	460190382	Nipple	
42	336190272	O-ring, NBR, 11x2.5	10 x 331100767
43	32943-01	Connection nipple Yoke	
44	32944-01	Yoke	
45	57507-52	Service kit, cylinder connection, RS4 with YOKE connection	1 x 212100014, 1 x 336900183
46	32947-01	Dust cover Yoke	
47	32946-01	Hand wheel Yoke	
48	32903-01	Parking plug	
49	88139-51	Holder strap with hook	

#	ORDER NO.	DESCRIPTION	NOTE
A	57507-51	Service kit, cylinder connection, RS4 with DIN connection	1 x #40, 42
B	57507-52	Service kit, cylinder connection, RS4 with YOKE connection	1 x #45
C	57507-61	Service kit, RS4 regulator with DIN connection	1 x # 4, 5, 8, 9, 15, 40, 42, 2 x #12
D	57507-62	Service kit, RS4 regulator with YOKE connection	1 x # 4, 5, 8, 9, 15, 45, 50, 51, 2 x #12

# Hoses and pressure gauge





## Divator RS4 regulator

#	ORDER NO.	DESCRIPTION	NOTE
1a	32948-01	Pressure gauge including high pressure hose, BAR	
1b	32948-02	Pressure gauge including high pressure hose, PSI	
2	97474-62	Suit hose	
3	99007-51	Octopus hose 170 cm	
4	99618-51	Breathing hose 83 cm	
5	30411-51	BC inflation hose	
6	460190599	O-ring, Nitrile, 7.3x1.2	10 x 336900272
7	944610206	O-ring, NBR, 8.1x1.6	
8	336190237	O-ring, NBR, 8.73x1.78	10 x 336900099
9	460190529	O-ring, 7.6x1.8	10 x 336920009

