



ENGLISH
DEUTSCH
FRANÇAIS
SVENSKA

Spirocom Wireless

User Manual • Gebrauchsanweisung • Manuel de l'utilisateur •
Användarhandbok

34157H91
2024-10

Copyright © 2024 Interspiro

This publication contains or refers to proprietary information which is protected by copyright. All rights are reserved. Interspiro®, Oxydive® and Divator® are registered trademarks belonging to Interspiro. This publication may not be copied, photocopied, reproduced, translated, or converted to any electronic or machinereadable form in whole or in part, without prior written approval from Interspiro.

Table of Contents

Spirocom Wireless	7
Safety notice	7
Safety terminology and symbols	7
Before use	8
Overview	8
Main components	8
Technical data Spirocom wireless	9
Install Spirocom on mask	10
Install microphone on Inspire / Respire mask	11
Install microphone on S-mask	12
Install microphone on Spiromatic mask	13
Install microphone on N/PE/ESA mask with new cover	16
Install microphone on N/PE/ESA mask with old cover	17
During use	20
Power on the Spirocom	20
Battery power level	20
Long-range radio connection	20
Bluetooth® function	20
Team Talk function	22
Voice projection unit (VPU)	22
Long range radio transmission (PTT)	22
Adjusting the volume	22
Mute function for Team Talk	22
Power off the Spirocom	23
After use	24
Battery replacement	24
Cleaning and drying	25
Waste Electrical and Electronic Equipment (WEEE) Disposal Instructions	25
Spirocom drahtlos	27
Sicherheitshinweise	27
Sicherheitsbegriffe und -symbole	27
Vor dem Einsatz	29
Übersicht	29
Hauptbestandteile	29
Technische Daten des drahtlosen Spirocom	30
Befestigung des Spirocoms an der Maske	31
Befestigung des Mikrofons an der Inspire / Respire-Maske	32
Befestigung des Mikrofons an der S-Maske	33

Befestigung des Mikrofons an der Spiromatic-Maske	34
Befestigung des Mikrofons an einer N-/PE-/ESA-Maske mit neuer Abdeckung	37
Befestigung des Mikrofons an einer N-/PE-/ESA-Maske mit alter Abdeckung	38
Während des Tauchgangs	41
Einschalten des Spirocom	41
Batterie-Füllstand	41
Langstrecken Funkverbindung	41
Bluetooth® Funktion	42
Team-Gesprächsfunktion	43
Lautsprechereinheit (VPU)	43
Funkübertragung mit größerer Reichweite (PTT)	43
Einstellen der Lautstärke	43
Stummschaltung für Team-Gesprächsschaltung	44
Ausschalten des Spirocom	44
Nach Gebrauch	45
Austausch der Batterien	45
Reinigung und Trocknung	47
Waste Electrical and Electronic Equipment (WEEE) Hinweise zur Entsorgung	47
Spirocom sans fil	49
Notice de sécurité	49
Symboles et termes de sécurité	49
Avant utilisation	50
Présentation	50
Principaux composants	50
Données techniques Spirocom sans fil	51
Installez le Spirocom sur le masque.	52
Installez le microphone sur le masque Inspire / Respire	53
Installez le microphone sur le masque S	54
Installez le microphone sur le masque Spiromatic	55
Installez le microphone sur le masque N / PE / ESA avec nouvelle protection	58
Installez le microphone sur le masque N/PE/ESA avec ancienne protection	60
Pendant l'utilisation	62
Allumez le Spirocom	62
Niveau de charge des piles	62
Connexion radio longue portée	62
Fonction Bluetooth®	62

Fonction Team Talk	64
Unité de projection vocale (VPU)	64
Transmission radio longue portée (PTT)	64
Réglage du volume	64
Fonction MUTE pour Team Talk	65
Déconnexion du Spirocom	65
Après utilisation	66
Remplacement des piles	66
Nettoyage et séchage	68
Waste Electrical and Electronic Equipment (WEEE) Instructions d'élimination	68
Spirocom Wireless	71
Säkerhetsanvisningar	71
Säkerhetstermer och symboler	71
Före användning	72
Översikt	72
Delar på Spirocom	72
Tekniska data för Spirocom wireless	73
Montera Spirocom på masken	74
Montera mikrofonen på Inspire / Respire	75
Montera mikrofonen i S-masken	75
Montera mikrofonen i Spiromaticmasken	76
Montera mikrofonen i N/PE/ESA mask med nya täcklocket	79
Montera mikrofonen i N/PE/ESA mask med gamla täcklocket	81
Användning	83
Starta enheten	83
Indikering av batterinivå	83
Anslut långdistansradio	83
Blåtandsfunktionen	83
Gruppkommunikation (Team Talk)	85
Röstförstärkare (VPU)	85
Aktivera långdistansradion (PTT)	85
Justera volymen	85
Mute-funktion för Team Talk	85
Stänga av enheten	86
Efter användning	87
Byta batterier	87
Rengöring och torkning	88
Waste Electrical and Electronic Equipment (WEEE) Avfallshanteringsinstruktioner	88

Safety notice

The product must only be used with other approved Interspiro products. The apparatus must be maintained, serviced and tested as described in this user manual, Interspiro service manuals and Interspiro test instructions.

Interspiro is not responsible for:

- combinations of products, unless put to market by Interspiro
- changes or adaptations made to the product by a third party

Changes to this document - necessitated by typographical errors, inaccuracies of current information or improvements and changes of equipment - may be made at any time without prior notice.

Exposure to extreme conditions, may require different procedures rather than those described in this manual. The guarantees and warranties specified in the conditions of sale are not extended by this Safety notice.

Safety terminology and symbols

In this document, the terms WARNING and NOTICE are used to indicate potential hazards. Read the accompanying information carefully and follow the safety instructions.



Warning

The WARNING type of hazard statement signifies that there is a risk of serious injury or death.



Notice

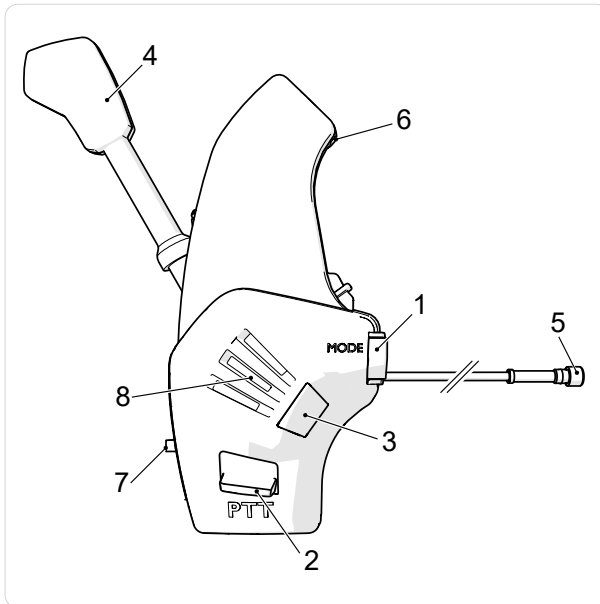
The Notice type of hazard statement signifies that there may be a risk of damage to equipment or property.

Before use

Overview

The Spirocom wireless mask unit is made for wireless transmission of the sound to the long-range radio and has Team Talk and PTT and, if desired, an external loudspeaker (VPU) functionality.

Main components



1. MODE button
2. PTT button
3. Display
4. Ear speaker
5. Microphone
6. LED indicator
7. Adjustment button (+/-)
8. External loudspeaker (VPU) [optional]

Technical data Spirocom wireless

Ingress protection

Rating	Note
IP67	For sealed unit, excluding microphone.

Frequency

Region	Frequency
Europe	868 MHz
USA	915 MHz

Approvals

Approval	Note
CE	Approved
FCC	ID: YDFSCMBT34320

The mask mounted unit is intrinsically safe

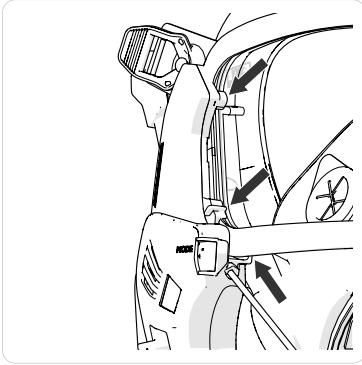
Region	Note
Europe	GA Exia IIB T4, -30°C - + 60°C
USA	UL913, for use in Class I, Division 1, Group C, D Hazardous Locations

Substitution of components may impair Intrinsic safety.

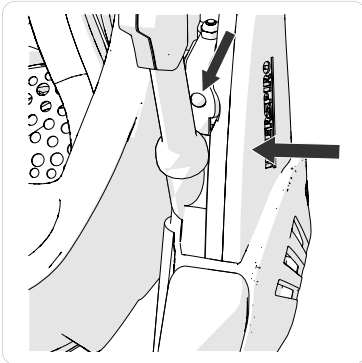
This device complies with part 15 of the FCC Rules. Operation is subject to the following two conditions: (1) This device may not cause harmful interference, and (2) this device must accept interference received, including interference that may cause undesired operation. Changes or modifications not expressly approved by the party responsible for compliance could void the user's authority to operate the equipment. This equipment has been tested and found to comply with the limits for a Class A digital device, pursuant to part 15 of the FCC rules. These limits are designed to provide reasonable protection against harmful interference with the equipment is operated in a commercial environment. This equipment generates, uses, and can radiate radio frequency energy and, if not installed and used in accordance with the instruction manual, may cause harmful interference to radio communication. Operation of this equipment in a residential area is likely to cause harmful interference in which case the user will be required to correct the interference at his own expense.

Install Spirocom on mask

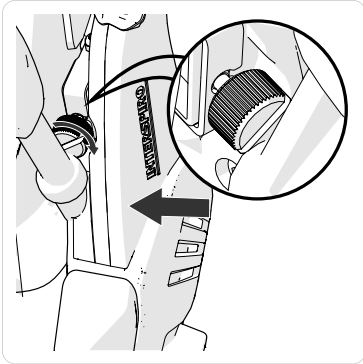
1. Put the Spirocom in position on the mask by placing the hooks over the visor frame.



2. Quick connection version: Press the Spirocom against the mask until the locking peg locks into the hole in the attachment bracket.



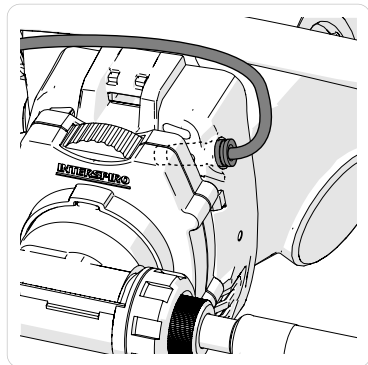
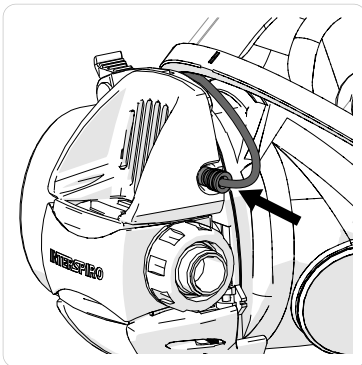
3. **Hand screw version:** Press the Spirocom against the mask until it is possible to tighten the hand screw moderately in the hole in the attachment bracket.



4. Make sure that the Spirocom is safely attached to the mask.

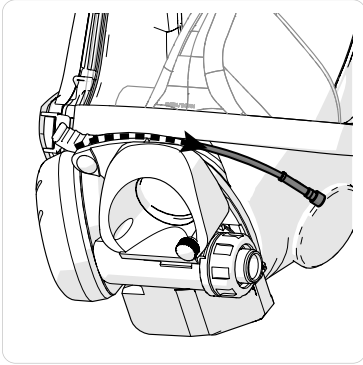
Install microphone on Inspire / Respire mask

1. Put the microphone cable between the lower visor frame and front piece of the mask.
2. Push the microphone into the hole in the frontpiece of the mask.

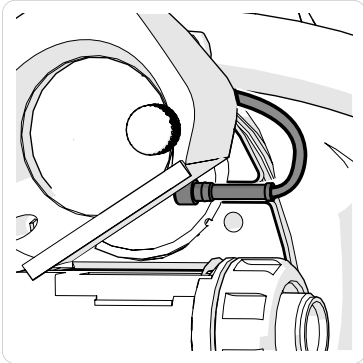


Install microphone on S-mask

1. Put the microphone cable between the lower visor frame and front piece of the mask.

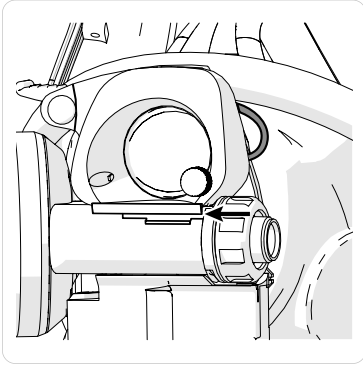


2. Loosen the hand screw on the speech diaphragm and turn the speech diaphragm up.
3. Put the narrow part of the microphone in the slot in the mask.



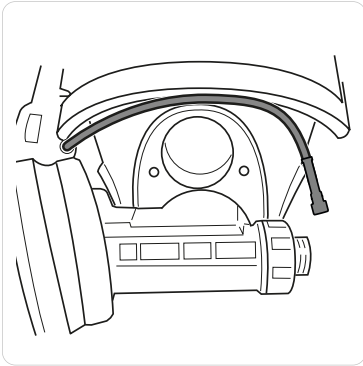
4. Turn the speech diaphragm down and tighten the hand screw.

5. If the speech diaphragm is in the correct position, the lip of the speech diaphragm covers the serial number on the breathing valve.

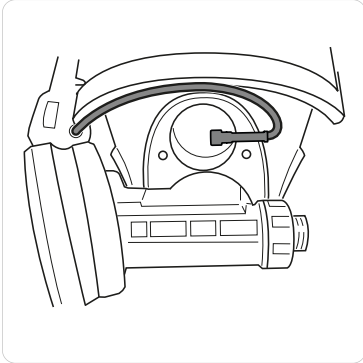


Install microphone on Spiromatic mask

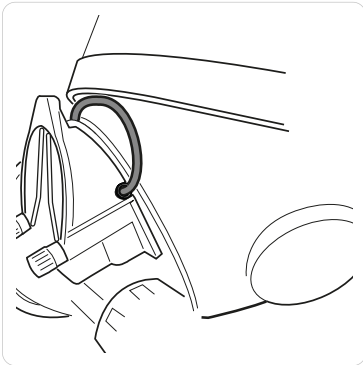
1. Loosen the hand screws and remove the external speech cone/blank cover.
2. Put the microphone cable between the lower visor frame and front piece of the mask.



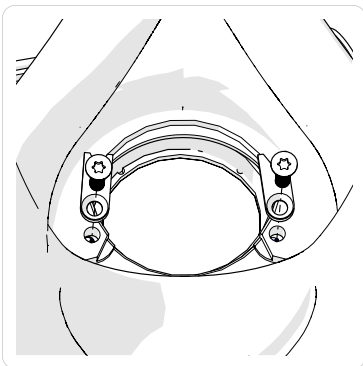
- Put the microphone so that it is in the center of the front piece of the mask.



- Install the external speech cone and tighten the hand screws. Make sure the microphone cable is correctly installed in the slot in the speech cone.



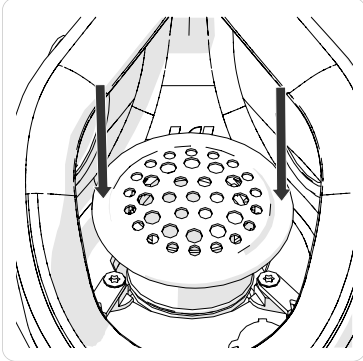
- Attach the locking lugs in the mask with the two screws.



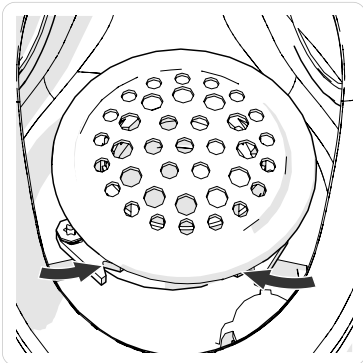
- Make sure that the screws on the locking plates are correctly tightened so the locking plates turn evenly.

7. Make sure that the locking lugs on the speech diaphragm is turned towards the locking plates. Hold the speech diaphragm by the edges and carefully press the speech diaphragm in place.

NOTE: Do not press in the middle of the speech diaphragm, this can deform the speech diaphragm.

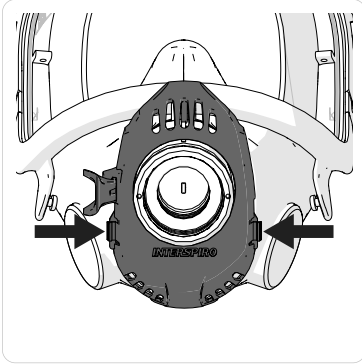


8. Turn the locking plates with a screwdriver or similar tool to lock the speech diaphragm.

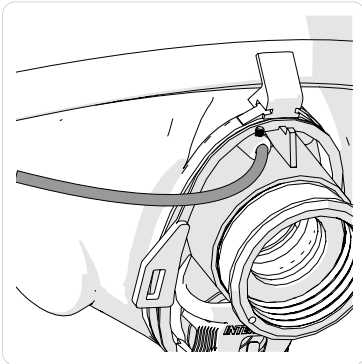


Install microphone on N/PE/ESA mask with new cover

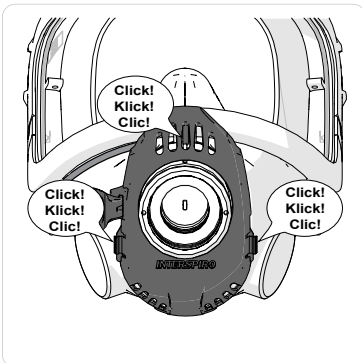
1. Remove the mask cover by pushing the locking tabs.



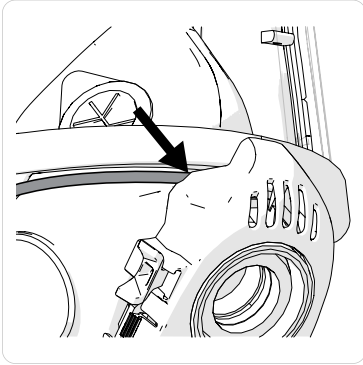
2. Put the microphone into the front piece of the mask with the stop screw touching the edge.



3. Put on the mask cover.

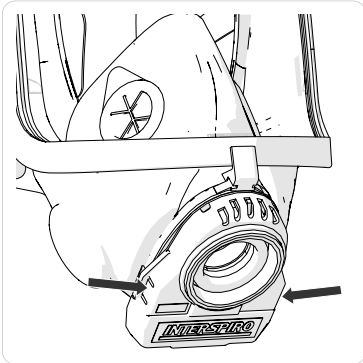


4. Make sure the microphone cable is correctly installed between the cover and the mask.

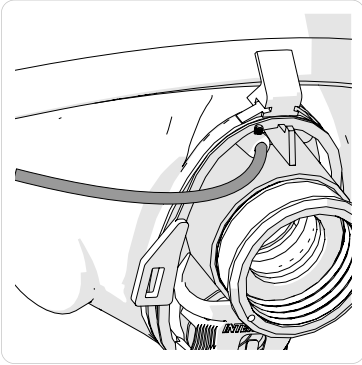


Install microphone on N/PE/ESA mask with old cover

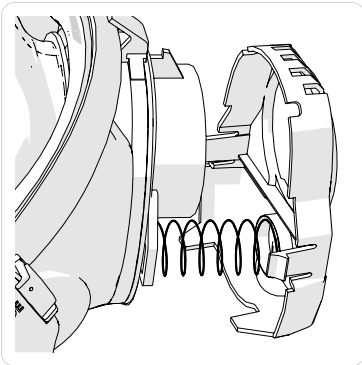
1. Remove the mask cover by pushing the locking tabs.



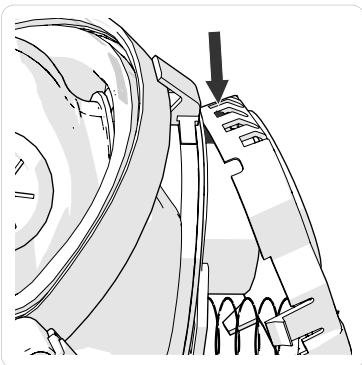
2. Put the microphone into the front piece of the mask with the stop screw touching the edge.



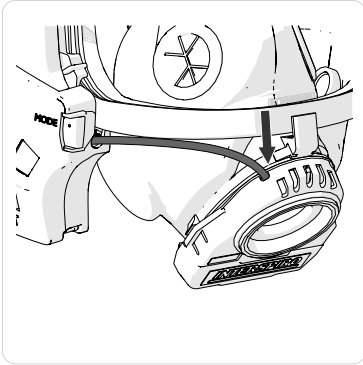
3. Put the outer end of the exhalation valve spring in the circular cavity on the inside of the mask cover.



4. Insert the upper "hook" of the connector into the middle hole (in the upper part) of the mask cover.



5. Push the lower part of the mask cover towards mask until it locks. Make sure the microphone cable is correctly installed between the cover and the mask.



During use

Power on the Spirocom

1. Push the MODE button for 3 seconds and then release it. The display first shows the battery power level (ex. "b4") then shows the group number.
2. If the unit does not start or the display shows "LO", replace the batteries.

Battery power level

The remaining battery level is shown in the display when turning on the power on the Spirocom. It has five levels described below.

- b4 = > 75% battery power remaining.
- b3 = 50% - 75% battery power remaining.
- b2 = 25% - 50% battery power remaining.
- b1 = < 25% battery power remaining.
- b0 = Less than 2 hours of battery power. Change batteries when this level is reached. When the batteries reaches this level during use, the LED indicator starts flashing red and two dots are shown on the display.
- Lo = The battery power level is too low. Replace the batteries to start the unit.

Long-range radio connection

For long range radio transmission (PTT) the unit can be configured with two connection types:

- Bluetooth – follow the instructions in "Bluetooth pairing" below.
- Radio adapter – follow the instructions in the separate user manual for the radio adapter.

Bluetooth® function

Bluetooth® pairing

1. Push down and hold the Adjustment button.
2. Push the MODE button for 3 seconds and then release it.
3. Release the adjustment button.
4. Battery status is shown in the display.

5. Valid group number is heard in the ear speaker.
6. The display changes and shows "P" and 3 tones of the same pitch in the ear speaker to indicate that the Spirocom is visible for the long-range radio for Bluetooth® pairing.

**Notice**

Note that the device will not start up until the Adjustment button has been released.

7. Search for Bluetooth® devices using the long-range radio.
8. Select the Spirocom for pairing in the long-range radio.
9. The display shows the group number.
10. The Spirocom plays 3 single tones of an increasing pitch in the ear speaker to indicate that the Spirocom now is Bluetooth® paired and connected to the long-range radio.

**Notice**

Note that a new pairing is needed when batteries have been replaced in the Spirocom.

Bluetooth® connection of paired device

When a long-range radio (that has been paired with the Spirocom) and/or the Spirocom has been powered off and powered on again, it is possible that the Bluetooth® connection must be established manually using the long-range radio. This is the case when the long-range radio is not using automatic connect to paired devices.

1. Power on the Spirocom.
2. Select the Spirocom for Bluetooth® connection in the long-range radio.
3. The Spirocom plays 3 single tones of an increasing pitch in the ear speaker to indicate that the Spirocom now is Bluetooth® connected with the long-range radio.

Bluetooth® notifications

- If an established Bluetooth® connection gets disconnected the Spirocom plays 3 single tones of a decreasing pitch in the ear speaker to indicate that the connection has been lost.

- If the connection is re-established the Spirocom plays 3 single tones of an increasing pitch.

Team Talk function

- The Spirocom is started with the last used group number.
- To Change the group number push the Adjustment button up or down. The group number can be changed until the Spirocom has connected to a group
- When the Spirocom connects to a group "*connected*" is heard in the ear speaker and the group number remains lit in the display.
- If the group number must be changed after the Spirocom has been connected to a group it needs to be restarted.

Voice projection unit (VPU)

If the unit is configured with VPU toggle function it starts by default in the mode for Team Talk only. By quickly pressing and releasing the MODE button the unit toggles between "Team Talk only, no VPU"<---->"VPU only, no Team Talk".

Long range radio transmission (PTT)

1. Lift and hold the PTT button to start a transmission.
2. Wait until the LED indicator shows a red light and a beep is heard in the ear speaker - now you can speak.
3. Release the PTT button to end the transmission.

Adjusting the volume

- The volume in the ear speaker can be adjusted after the Spirocom has connected to a group.
- There are 5 volume levels and the default level is 3 (medium)
- Push the Adjustment button up or down to change the volume, each step is indicated with a beep in the ear speaker. The lowest and highest level are indicated with a double beep.

Mute function for Team Talk

The microphone of the Spirocom can be muted (switched off) for Team Talk with the Adjustment button.

Mute: Push down and hold the Adjustment button (approximately 4 seconds) until the LED indicator starts flashing red.

Unmute: Push up the Adjustment button one time, then the LED indicator stops flashing.

Power off the Spirocom

1. Push and hold the MODE button (approximately 7 seconds) until the display shows “- -” and the LED indicator shows a red light.
2. Release the MODE button.

The Spirocom will automatically power off after 15 minutes, if no sound is detected by the microphone.

After use

Battery replacement



Warning

Batteries must only be changed in an area known to be non-hazardous.



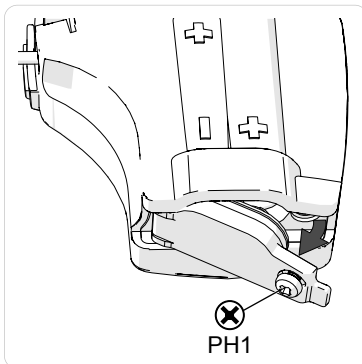
Notice

Always use the specified AAA alkaline batteries "Duracell MN2400", "Procell Constant AAA" or "Energizer E92". Interspiro assumes no liability for mechanical, electrical or any other type of battery failure.

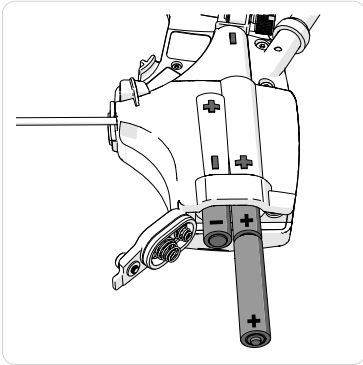
Do not mix different brands of batteries and do not mix old and new batteries.

Cold conditions during storage and use will decrease battery life.

1. Loosen the screw with a screwdriver and open the battery cover lid.



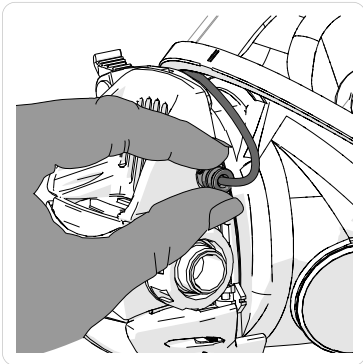
2. Remove the old batteries.
3. Put in new batteries. Make sure the batteries are correctly installed, as shown on the back of the Spirocom.



4. Close the battery cover lid and tighten the screw moderately.

Cleaning and drying

1. Make sure to hold on to the microphone when removing it from the mask. Do not pull the cord.



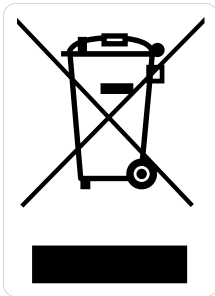
2. Clean the Spirocom with a moist sponge, if needed use a mild detergent.
3. Let the Spirocom dry in an upright position.

Waste Electrical and Electronic Equipment (WEEE) Disposal Instructions

In compliance with the European Community Directive 2002/96/EC, applicable as of January 27, 2003, it is important to dispose of Waste Electrical and Electronic Equipment (WEEE) in an environmentally responsible manner.

Correct Disposal of This Product:

1. **Do Not Dispose in Regular Waste:** This product is marked with the crossed-out wheeled bin symbol. This indicates that it should not be disposed of as regular household waste.
2. **Separate Collection:** To prevent potential harm to the environment and human health from hazardous substances in electrical and electronic equipment, ensure that this product is disposed of at an authorized recycling facility or through a dedicated collection system.
3. **Local Disposal Regulations:** Please consult your local waste management authority or the retailer where you purchased the product for information on approved collection points or recycling programs. These facilities will ensure that WEEE is recycled properly, reducing the impact on the environment.
4. **Battery Disposal:** If your product contains batteries, dispose of them separately in accordance with local laws and regulations for battery disposal. By properly disposing of this product, you contribute to the sustainable reuse of materials and the conservation of natural resources. For more information on recycling and disposal, please contact your local authorities.



Sicherheitshinweise

Das Produkt darf nur zusammen mit anderen, von Interspiro freigegebenen Produkten verwendet werden. Das Gerät ist entsprechend der Beschreibung dieser Gebrauchsanweisung sowie der Wartungshandbücher und Prüfanleitungen von Interspiro zu behandeln, zu warten und zu testen.

Interspiro haftet nicht für:

- Produktkombinationen, sofern diese nicht von Interspiro für den Markt freigegeben sind
- Veränderungen / Manipulationen am Produkt durch Dritte

Interspiro behält sich zu jeder Zeit Änderungen in diesem Dokument ohne vorherige Ankündigung vor – seien es typographische Fehler, Inkorrektheiten in der Information oder Verbesserungen und Änderungen an der Ausrüstung selbst.

Unter extrem rauen Bedingungen können andere Verfahren, als in der Anweisung beschrieben, notwendig sein. Die in den Verkaufsbedingungen genannten Gewährleistungen und Garantien bleiben von dieser Sicherheitsmitteilung unberührt.

Sicherheitsbegriffe und -symbole

In diesem Dokument werden die Begriffe **WARNUNG** und **HINWEIS** verwendet, um auf mögliche Gefahren hinzuweisen. Bitte lesen Sie die zugehörigen Informationen sorgfältig und befolgen Sie die Sicherheitsanweisungen.



Warnung

Der Warnhinweis bezeichnet als **WARNUNG** weist darauf hin, dass die Gefahr schwererer oder tödlicher Verletzungen besteht.



Hinweis

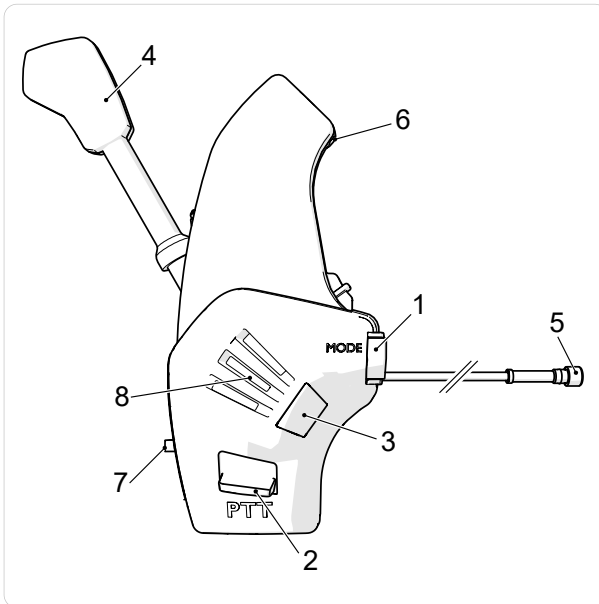
Der Gefahrenhinweis bezeichnet als HINWEIS weist auf das Risiko hin, dass die Ausrüstung oder das Eigentum beschädigt werden kann.

Vor dem Einsatz

Übersicht

Die Spirocom-Funkmaskeneinheit ist für die drahtlose Übertragung von Tönen an das Funkgerät ausgelegt und verfügt über Team Talk und PTT sowie auf Wunsch über eine externe Lautsprecherfunktion (VPU).

Hauptbestandteile



1. MODE-Knopf
2. PTT-Knopf
3. Display
4. Ohrlautsprecher
5. Mikrofon
6. LED-Anzeige
7. Justierknopf (+/-)
8. Externer Lautsprecher (VPU) [optional]

Technische Daten des drahtlosen Spirocom

Schutz gegen Eindringen

Schutzklasse	Anmerkung
IP67	Für abgedichtete Einheit ausschließlich Mikrofon.

Frequenz

Region	Frequenz
Europa	868 MHz
USA	915 MHz

Zulassungen

Zulassung	Anmerkung
CE	geprüft
FCC	ID: YDFSCMBT34320

Die montierte Maskeneinheit ist ein eigensicheres System

Region	Anmerkung
Europa	GA Exia IIB T4, -30°C - + 60°C
USA	UL 913, zur Verwendung in Klasse I, Division 1, Gruppen C, D für gefährliche Einsatzorte

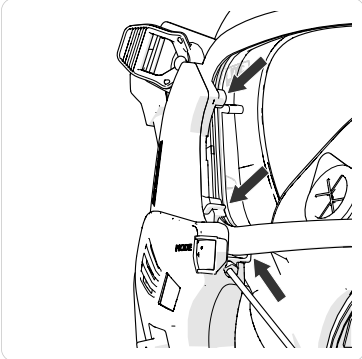
Der Austausch von Komponenten kann die Eigensicherheit der Einheit verletzen.

This device complies with part 15 of the FCC Rules. Operation is subject to the following two conditions: (1) This device may not cause harmful interference, and (2) this device must accept interference received, including interference that may cause undesired operation. Changes or modifications not expressly approved by the party responsible for compliance could void the user's authority to operate the equipment. This equipment has been tested and found to comply with the limits for a Class A digital device, pursuant to part 15 of the FCC rules. These limits are designed to provide reasonable protection against harmful interference with the equipment is operated in a commercial environment. This equipment generates, uses, and can radiate radio frequency energy and, if not installed and used in accordance with the instruction manual, may cause harmful interference to radio communication. Operation of this

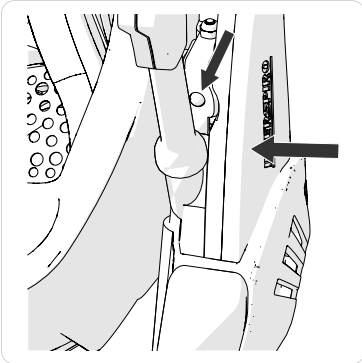
equipment in a residential area is likely to cause harmful interference in which case the user will be required to correct the interference at his own expense.

Befestigung des Spirocoms an der Maske

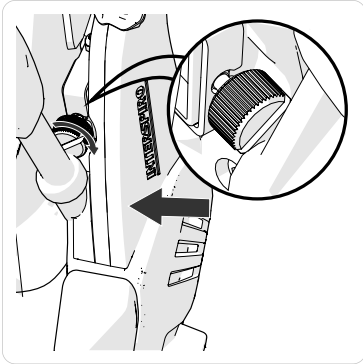
1. Das Spirocom ordnungsgemäß an der Maske positionieren, indem die Haken über den Sichtscheibenrahmen platziert werden.



2. Version mit Schnellanschluss: das Spirocom auf die Maske drücken, bis der Arretierstift in dem Loch auf dem Befestigungsbügel einrastet.



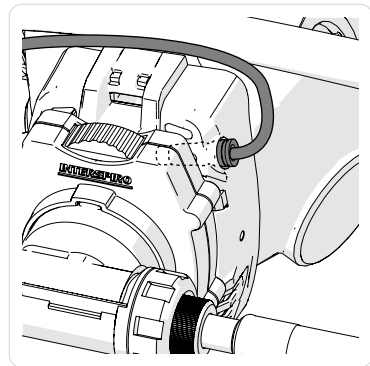
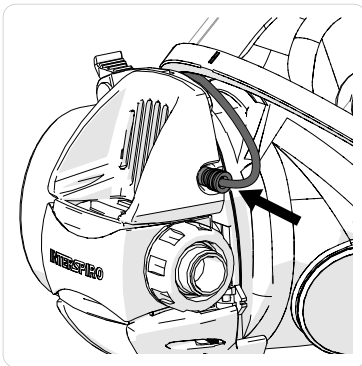
3. Version mit Schraube: Das Spirocom auf die Maske drücken, bis es möglich ist, die Rändelschraube vorsichtig in das Loch auf dem Befestigungsbügel einzudrehen.



4. Kontrollieren Sie, dass das Spirocom sicher an der Maske befestigt wurde.

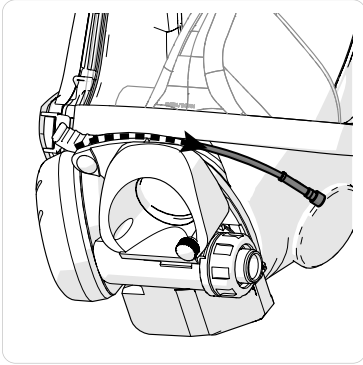
Befestigung des Mikrofons an der Inspire / Respire-Maske

1. Platzieren Sie das Mikrophonkabel zwischen dem unteren Sichtscheibenrahmen und dem Vorderteil der Maske.
2. Drücken Sie das Mikrophon in das Loch im Vorderteil der Maske

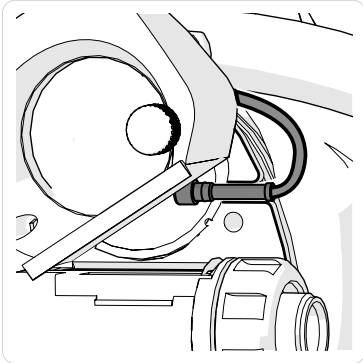


Befestigung des Mikrofons an der S-Maske

1. Platzieren Sie das Mikrophonkabel zwischen dem unteren Sichtscheibenrahmen und dem Vorderteil der Maske.

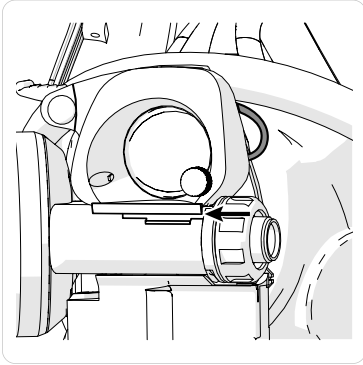


2. Lösen Sie die Rändelschraube der Sprechmembran und drehen Sie die Sprechmembran nach oben.
3. Stecken Sie den schmalen Teil des Mikrofons in den Schlitz in der Maske.



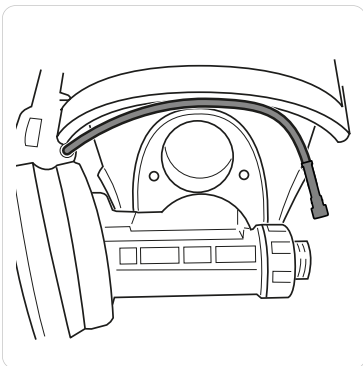
4. Drehen Sie die Sprechmembran nach unten und drehen Sie die Rändelschraube wieder fest.

5. Wenn die Sprechmembran richtig positioniert ist, deckt die Lasche der Sprechmembran die Seriennummer des Lungenautomaten ab.

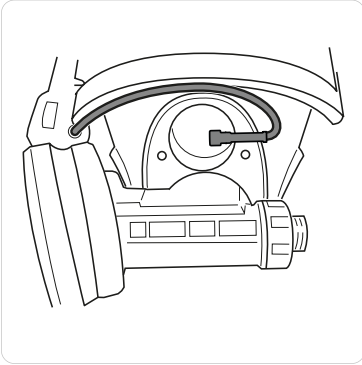


Befestigung des Mikrofons an der Spiromatic-Maske

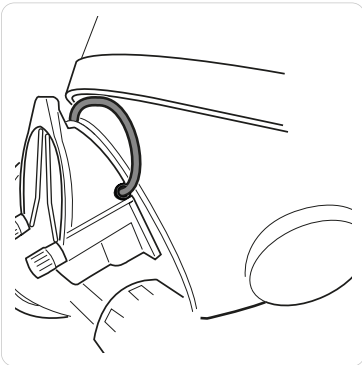
1. Lösen Sie die Rändelschrauben und entfernen Sie den externen Sprechkonus/Blinddeckel.
2. Platzieren Sie das Mikrophonkabel zwischen dem unteren Sichtscheibenrahmen und dem Vorderteil der Maske.



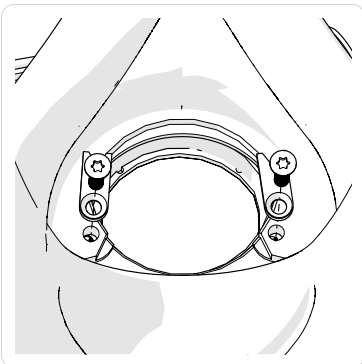
3. Platzieren Sie das Mikrofon so, dass es sich in der Mitte des Vorderteils der Maske befindet.



4. Installieren Sie den externen Sprechkonus und ziehen Sie die Rändelschrauben fest. Kontrollieren Sie, dass das Mikrofonkabel im Loch des Sprechkonus sitzt.

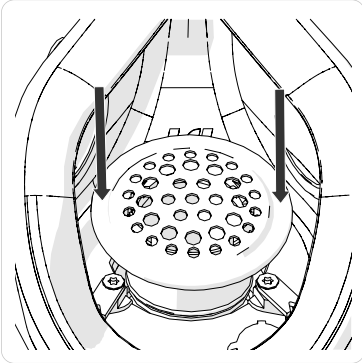


5. Befestigen Sie die Verriegelungsösen mit den zwei Schrauben in der Maske.

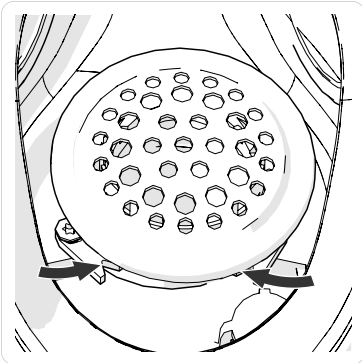


6. Kontrollieren Sie, dass die Schrauben auf den Verriegelungsplatten ordnungsgemäß festgezogen sind, sodass sich die Verriegelungsplatten gleichmäßig drehen.
7. Kontrollieren Sie, dass die Verriegelungsösen der Sprechmembran in Richtung der Sicherungsplatten zeigen. Halten Sie die Sprechmembran an den Kanten fest und drücken Sie die Sprechmembran vorsichtig in ihre Position.

ANMERKUNG: Drücken Sie nicht in die Mitte der Sprechmembran da diese dadurch verformt werden könnte.

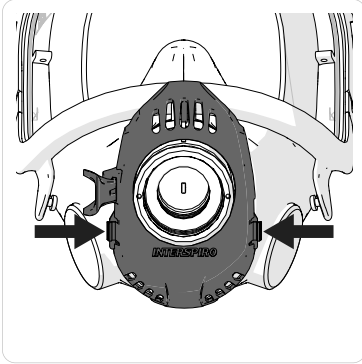


8. Drehen Sie die Sicherungsplatten mit einem Schraubenzieher oder einem ähnlichen Werkzeug, um die Sprechmembran zu verriegeln.

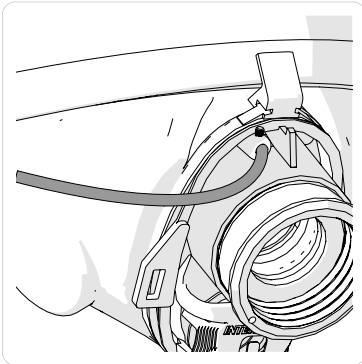


Befestigung des Mikrofons an einer N-/PE-/ESA-Maske mit neuer Abdeckung

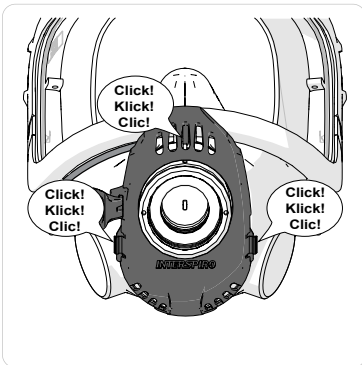
1. Entfernen Sie die Maskenabdeckung durch Drücken der Klemmlaschen.



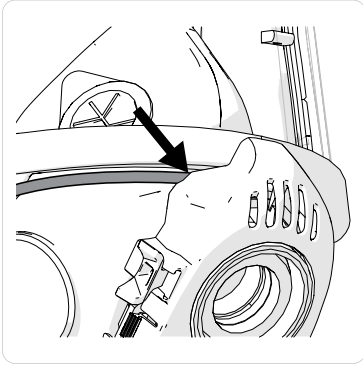
2. Platzieren Sie das Mikrofon so in dem Vorderteil der Maske, dass die Anschlagsschraube die Kante berührt.



3. Anbringen der Maskenabdeckung

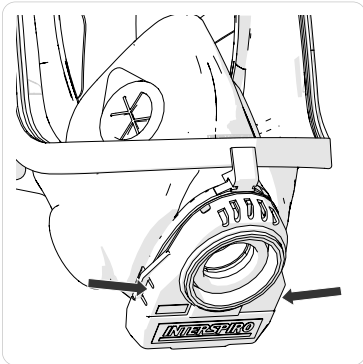


4. Kontrollieren Sie, dass das Mikrofonkabel korrekt zwischen der Abdeckung und der Vollmaske befestigt wurde.

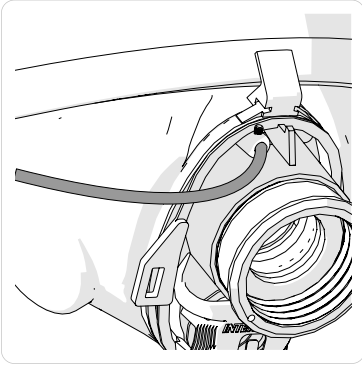


Befestigung des Mikrofons an einer N-/PE-/ESA-Maske mit alter Abdeckung

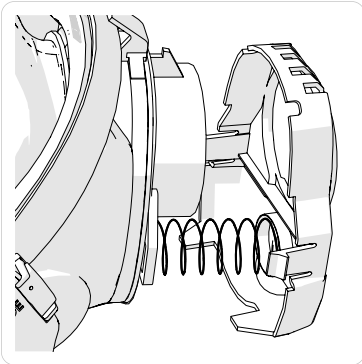
1. Entfernen Sie die Maskenabdeckung durch Drücken der Klemmlaschen.



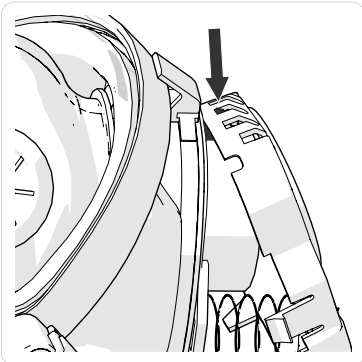
2. Platzieren Sie das Mikrofon so in dem Vorderteil der Maske, dass die Anschlagschraube die Kante berührt.



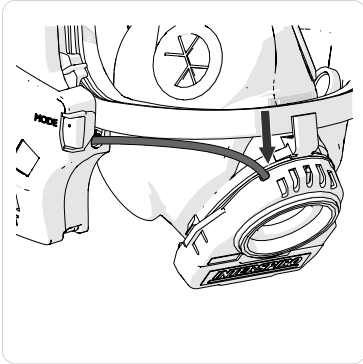
3. Platzieren Sie das äußere Federende des Ausatemventils in die runde Spur auf der Innenseite der Maskenabdeckung.



4. Führen Sie den oberen „Haken“ des Anschlusses in das mittlere Loch (im oberen Teil) der Maskenabdeckung ein.



5. Drücken Sie den unteren Teil der Maskenabdeckung auf die Maske, bis er einrastet. Kontrollieren Sie, dass das Mikrofonkabel korrekt zwischen der Abdeckung und der Vollmaske befestigt wurde.



Während des Tauchgangs

Einschalten des Spirocom

1. Halten Sie den MODE-Knopf 3 Sekunden lang gedrückt und lassen Sie ihn dann wieder los. Auf dem Display wird erst der Batterie-Füllstand (z.B. „b4“) und danach die Gruppennummer angezeigt.
2. Startet die Einheit nicht oder zeigt das Display "LO" an, tauschen Sie bitte die Batterien aus.

Batterie-Füllstand

Der Batterie-Füllstand wird beim Einschalten des Spirocom auf dem Display angezeigt. Es gibt 5 Füllstände, wie unten beschrieben.

- b4 = Mehr als 75 % der Batteriekapazität vorhanden.
- b3 = Noch 50 % - 75 % der Batteriekapazität vorhanden.
- b2 = Noch 25% - 50% der Batteriekapazität vorhanden.
- b1 = Weniger als 25% der Batteriekapazität vorhanden.
- b0 = Weniger als 2 Stunden Batteriekapazität vorhanden. Wechseln Sie die Batterien aus, wenn dieser Zustand erreicht wurde. Wenn die Batterien während der Verwendung diesen Zustand erreichen, fängt die LED-Anzeige an, rot zu blinken und zwei Punkte werden auf dem Display angezeigt.
- Lo = Der Batteriezustand ist zu niedrig. Tauschen Sie die Batterien aus, um die Einheit einzuschalten.

Langstrecken Funkverbindung

Für die Langstrecken Funkübertragung (PTT) kann das Gerät mit zwei Verbindungstypen konfiguriert werden:

- Bluetooth - Befolgen Sie die Anweisungen unter „Bluetooth-Verbindung“ weiter unten.
- Funkadapter - Befolgen Sie die Anweisungen in der separaten Bedienungsanleitung des Funkadapters.

Bluetooth® Funktion

Bluetooth® Verbindung

1. Drücken Sie den Justierknopf und halten Sie ihn gedrückt.
2. Drücken Sie die MODE-Taste 3 Sekunden lang und lassen Sie sie dann los.
3. Lassen Sie den Justierknopf los.
4. Der Batteriestatus wird im Display angezeigt.
5. Die geltende Gruppennummer ist im Ohrlautsprecher zu hören.
6. Das Display verändert sich und zeigt "P" an und 3 Töne derselben Tonhöhe sind im Ohrlautsprecher zu hören, um anzuzeigen, dass das Spirocom jetzt für das Funkgerät zur Bluetooth®-Verbindung sichtbar ist.



Hinweis

Beachten Sie, dass das Gerät erst gestartet wird, wenn der Justierknopf losgelassen wurde.

7. Suchen Sie auf dem Funkgerät nach Bluetooth® Geräten.
8. Wählen Sie das Spirocom zur Verbindung im Funkgerät aus.
9. Das Display zeigt die Gruppennummer.
10. Das Spirocom spielt 3 Einzeltöne mit zunehmender Tonhöhe im Ohrlautsprecher ab, um anzuzeigen, dass das Spirocom jetzt über Bluetooth® mit dem Funkgerät gekoppelt ist.



Hinweis

Beachten Sie, dass eine neue Kopplung erforderlich ist, wenn die Batterien im Spirocom ausgetauscht wurden.

Bluetooth®-Verbindung von gekoppelten Geräten

Wenn ein Funkgerät (das bereits mit dem Spirocom gekoppelt wurde) und / oder das Spirocom ausgeschaltet und wieder eingeschaltet wurde, muss die Bluetooth®-Verbindung möglicherweise manuell über das Funkgerät hergestellt werden. Dies ist der Fall, wenn das Funkgerät keine automatische Verbindung zu gekoppelten Geräten verwendet.

1. Schalten Sie das Spirocom ein.

2. Wählen Sie im Funkgerät das Spirocom zur Bluetooth®-Verbindung aus.
3. Das Spirocom spielt 3 Einzeltöne mit zunehmender Tonhöhe im Ohrlautsprecher ab, um anzuzeigen, dass das Spirocom jetzt über Bluetooth® mit dem Funkgerät verbunden ist.

Bluetooth®-Benachrichtigungen

- Wenn eine bestehende Bluetooth®-Verbindung getrennt wurde, spielt das Spirocom 3 Einzeltöne mit abnehmender Tonhöhe im Ohrlautsprecher ab, um anzuzeigen, dass die Verbindung unterbrochen wurde.
- Wenn die Verbindung wiederhergestellt wurde, spielt das Spirocom 3 Einzeltöne mit zunehmender Tonhöhe.

Team-Gesprächsfunktion

- Das Spirocom startet mit der zuletzt verwendeten Gruppennummer.
- Um die Gruppennummer zu ändern, den Justierknopf nach oben oder unten drücken. Die Gruppennummer kann geändert werden, bis das Spirocom mit einer Gruppe verbunden wurde .
- Wenn das Spirocom mit einer Gruppe verbunden ist, gibt der Ohrlautsprecher „connected“ aus und die Gruppennummer wird im Display angezeigt.
- Wenn die Gruppennummer geändert werden soll, nachdem das Spirocom mit einer Gruppe verbunden wurde, muss dieses neu gestartet werden.

Lautsprechereinheit (VPU)

Wenn das Gerät mit der VPU-Umschaltfunktion konfiguriert wurde, wird es standardmäßig nur im Modus für Team Talk gestartet. Durch schnelles Drücken und Loslassen der MODE-Taste wechselt das Gerät zwischen „Nur Teamgespräch, keine VPU“ „Nur VPU, kein Teamgespräch“.

Funkübertragung mit größerer Reichweite (PTT)

1. Halten Sie den PTT-Knopf gedrückt, um eine Übertragung zu starten.
2. Warten Sie, bis eine rote Leuchte auf der LED-Anzeige aufleuchtet und ein Piepton im Ohrlautsprecher ertönt – jetzt können Sie sprechen.
3. Lassen Sie den PTT-Knopf los, um die Übertragung zu beenden.

Einstellen der Lautstärke

- Die Lautstärke des Ohrlautsprechers kann geändert werden, nachdem das Spirocom mit einer Gruppe verbunden wurde.

- Es gibt 5 Lautstärkepegel und der voreingestellte Pegel ist 3 (mittel)
- Drücken Sie den Einstellknopf nach oben oder unten, um die Lautstärke zu ändern. Jede Stufe wird mit einem Piepton im Ohrlautsprecher angezeigt. Der niedrigste und höchste Pegel werden jeweils mit einem doppelten Piepton angezeigt.

Stummschaltung für Team-Gesprächsschaltung

Das Mikrofon des Spirocom kann in der Team-Gesprächsschaltung mit dem Justierknopf stummgeschaltet (ausgeschaltet) werden.

Stumm schalten: Halten Sie den Justierknopf nach unten gedrückt (ca. 4 Sekunden lang), bis die LED-Anzeige beginnt, rot zu blinken.

Laut schalten: Drücken Sie den Justierknopf einmal nach oben, sodass die LED-Anzeige nicht mehr blinkt.

Ausschalten des Spirocom

1. Halten Sie den MODE-Knopf gedrückt (ca. 7 Sekunden), bis auf dem Display „-“ angezeigt wird und die rote LED aufleuchtet.
2. Lassen Sie den MODE-Knopf los.

Das Spirocom schaltet sich nach ca. 15 Minuten automatisch aus, wenn kein Ton vom Mikrofon empfangen wird.

Nach Gebrauch

Austausch der Batterien



Warnung

Die Batterien dürfen nur in einer geschützten Umgebung ausgetauscht werden.



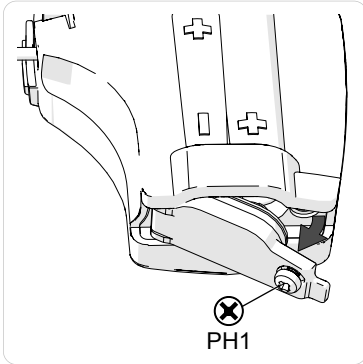
Hinweis

Verwenden Sie immer die vorgesehenen Alkali-Batterien „Duracell MN2400“, „Procell Constant AAA“ oder „Energizer E92“ im AAA-Format. Interspiro haftet nicht für mechanische, elektrische oder andere Fehler, die auf unsachgemäße Batterie Verwendung zurückzuführen sind.

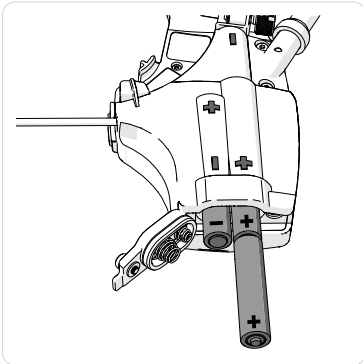
Batterien verschiedener Marken nicht zusammen verwenden und nicht alte zusammen mit neuen Batterien verwenden.

Lagerung und Verwendung unter kalten Bedingungen senkt die Batterienutzungszeit.

1. Lösen Sie die Schraube mit einem Schraubenzieher und öffnen Sie die Batteriefachabdeckung.



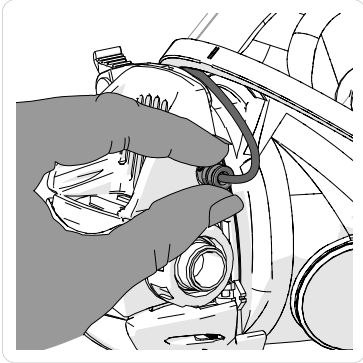
2. Entfernen Sie die alten Batterien.
3. Legen Sie neue Batterien ein. Stellen Sie sicher, dass Sie die Batterien ordnungsgemäß entsprechend der Abbildung auf der Rückseite des Spirocom einlegen.



4. Schließen Sie die Batteriefachabdeckung und ziehen Sie die Schrauben mäßig fest.

Reinigung und Trocknung

1. Achten Sie darauf, das Mikrofon festzuhalten, wenn Sie es von der Maske entfernen.
Ziehen Sie nicht am Kabel.



2. Reinigen Sie das Spirocom mit einem feuchten Schwamm und bei Bedarf mit einem milden Reinigungsmittel.
3. Lassen Sie das Spirocom aufrecht trocknen.

Waste Electrical and Electronic Equipment (WEEE) Hinweise zur Entsorgung

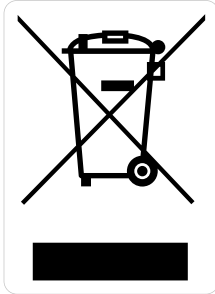
Gemäß der seit dem 27. Januar 2003 geltenden Richtlinie 2002/96/EG der Europäischen Gemeinschaft ist es wichtig, Elektro- und Elektronik-Altgeräte (WEEE) umweltgerecht zu entsorgen.

Korrekte Entsorgung dieses Produkts:

1. Nicht im normalen Hausmüll entsorgen: Dieses Produkt ist mit dem Symbol einer durchgestrichenen Mülltonne gekennzeichnet. Dies bedeutet, dass es nicht im normalen Hausmüll entsorgt werden darf.
2. Getrennte Sammlung: Um mögliche Schäden an der Umwelt und der menschlichen Gesundheit durch gefährliche Stoffe in elektrischen und elektronischen Geräten zu vermeiden, stellen Sie sicher, dass dieses Produkt in einer autorisierten Recyclinganlage oder über ein spezielles Sammelsystem entsorgt wird.
3. Örtliche Entsorgungsvorschriften: Bitte wenden Sie sich an Ihre örtliche Abfallwirtschaftsbehörde oder den Händler, bei dem Sie das Produkt gekauft haben, um Informationen zu zugelassenen Sammelstellen oder Recyclingprogrammen zu erhalten. Diese Einrichtungen stellen sicher,

dass Elektro- und Elektronik-Altgeräte ordnungsgemäß recycelt werden und so die Umweltbelastung verringert wird.

4. Batterieentsorgung: Wenn Ihr Produkt Batterien enthält, entsorgen Sie diese separat gemäß den örtlichen Gesetzen und Vorschriften zur Batterieentsorgung. Durch die ordnungsgemäße Entsorgung dieses Produkts tragen Sie zur nachhaltigen Wiederverwendung von Materialien und zur Erhaltung natürlicher Ressourcen bei. Weitere Informationen zum Recycling und zur Entsorgung erhalten Sie bei Ihren örtlichen Behörden.



Notice de sécurité

Ce produit ne doit être utilisé qu'avec d'autres produits Interspiro approuvés. L'appareil doit être entretenu, réparé et testé comme décrit dans ce manuel de l'utilisateur, les manuels d'entretien Interspiro et les instructions de tests d'Interspiro.

Interspiro décline toute responsabilité pour :

- les associations de produits, sauf si commercialisés par interspiro
- les modifications ou adaptations réalisées sur le produit par un tiers

Des modifications (motivées par des erreurs typographiques, l'inexactitude des présents renseignements ou des améliorations et modifications des équipements) pourront être apportées à ce document à tout moment sans préavis.

L'exposition à des conditions extrêmes peut nécessiter d'autres procédures que celles décrites dans ce manuel. Cette notice de sécurité ne prolonge pas les garanties spécifiées dans les conditions de vente.

Symboles et termes de sécurité

Dans ce document, les termes AVERTISSEMENT et REMARQUE sont utilisés pour indiquer des dangers potentiels. Lisez attentivement les informations qui y sont associées et respectez les consignes de sécurité.



Avertissement

Le terme AVERTISSEMENT est utilisé pour signaler un risque qui peut entraîner des blessures graves ou la mort.



Avis

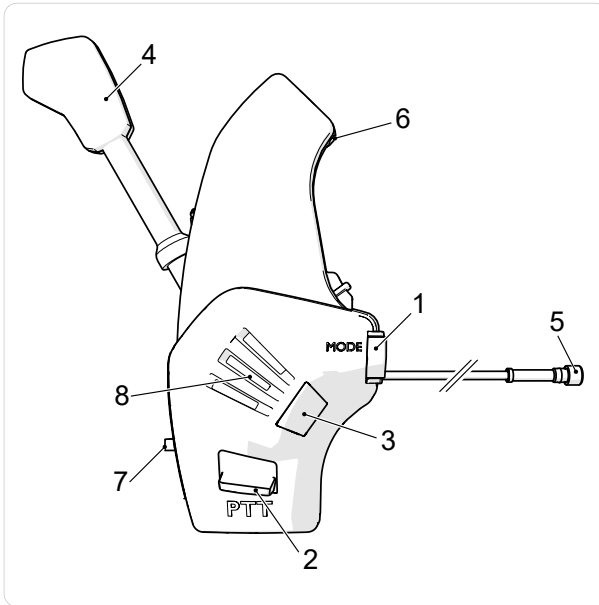
Le terme REMARQUE est utilisé pour signaler un risque potentiel qui peut entraîner des dommages matériels.

Avant utilisation

Présentation

L'unité de masque Spirocom sans fil est conçue pour la transmission sans fil du son à la radio longue portée et dispose de la fonctionnalité Team Talk et PTT et, si vous le souhaitez, d'un haut-parleur externe (VPU).

Principaux composants



1. Bouton MODE
2. Bouton PTT (Push To Talk - Presser pour parler)
3. Écran
4. Écouteur
5. Microphone
6. Indicateur LED
7. Bouton de réglage (+/-)
8. Haut-parleur externe (VPU) [en option]

Données techniques Spirocom sans fil

Indice de protection

Indice	Remarque
IP67	Pour l'unité scellée, hors microphone.

Fréquence

Région	Fréquence
Europe	868 MHz
USA	915 MHz

Homologations

Homologation	Remarque
CE	Homologué
FCC	ID: YDFSCMBT34320

L'unité montée sur le masque est à sécurité intrinsèque

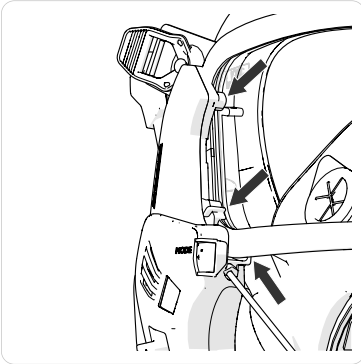
Région	Remarque
Europe	GA Exia IIB T4, -30°C - + 60°C
USA	UL913, pour utilisation dans les endroits dangereux de Classe I, Division 1, Groupe C, D

Toute substitution de composants peut compromettre la sécurité intrinsèque.

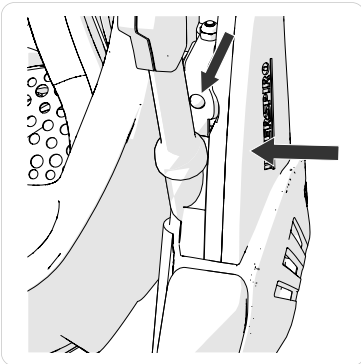
This device complies with part 15 of the FCC Rules. Operation is subject to the following two conditions: (1) This device may not cause harmful interference, and (2) this device must accept interference received, including interference that may cause undesired operation. Changes or modifications not expressly approved by the party responsible for compliance could void the user's authority to operate the equipment. This equipment has been tested and found to comply with the limits for a Class A digital device, pursuant to part 15 of the FCC rules. These limits are designed to provide reasonable protection against harmful interference with the equipment is operated in a commercial environment. This equipment generates, uses, and can radiate radio frequency energy and, if not installed and used in accordance with the instruction manual, may cause harmful interference to radio communication. Operation of this equipment in a residential area is likely to cause harmful interference in which case the user will be required to correct the interference at his own expense.

Installez le Spirocom sur le masque.

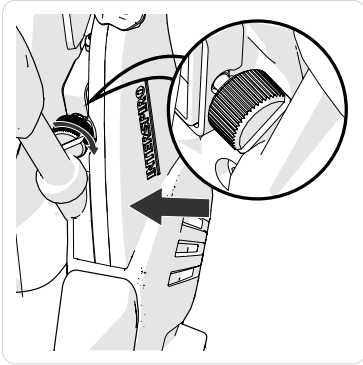
1. Positionnez le Spirocom sur le masque en plaçant les crochets sur le cadre de la visière.



2. Version à raccordement rapide : Pressez le Spirocom contre le masque jusqu'à ce que la goupille d'arrêt se verrouille dans le trou du support de fixation.



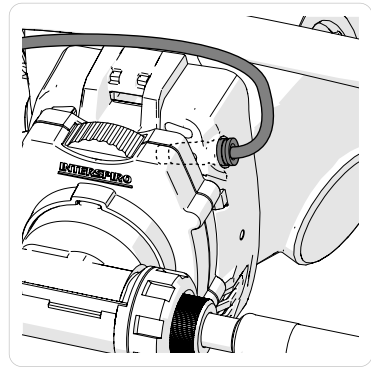
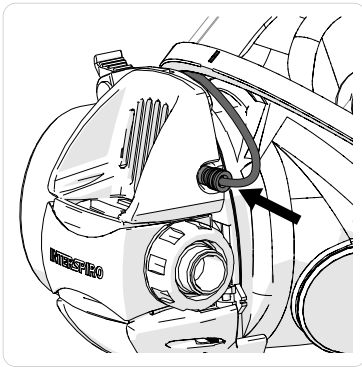
3. Version avec vis à main : Pressez le Spirocom contre le masque jusqu'à ce que vous puissiez serrer modérément la vis à main dans le trou du support de fixation.



4. Assurez-vous que le Spirocom est bien fixé au masque.

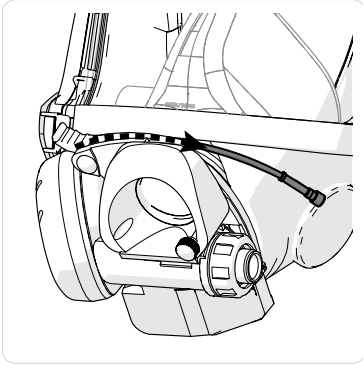
Installez le microphone sur le masque Inspire / Respire

1. Passez le câble du microphone entre le bas de la monture de la visière et la partie avant du masque.
2. Poussez le microphone dans le trou à l'avant du masque.

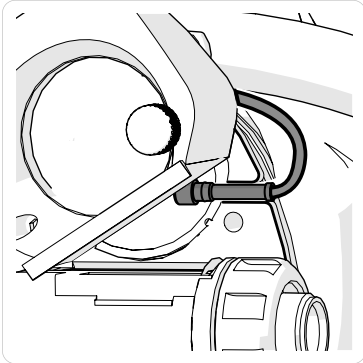


Installez le microphone sur le masque S

1. Passez le câble du microphone entre le bas de la monture de la visière et la partie avant du masque.

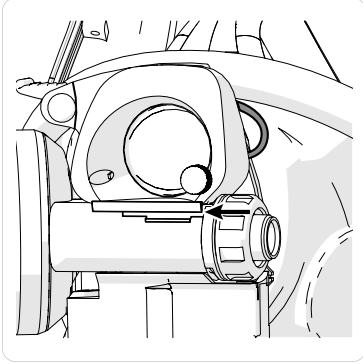


2. Desserrez la vis à main de la membrane phonique et tournez la membrane phonique vers le haut.
3. Mettez la partie étroite du microphone dans la fente du masque.



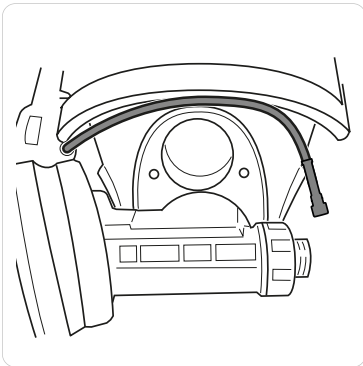
4. Tournez la membrane phonique vers le bas et serrez la vis à main.

5. Si la membrane phonique est correctement positionnée, sa lèvre recouvre le numéro de série de la soupape respiratoire.

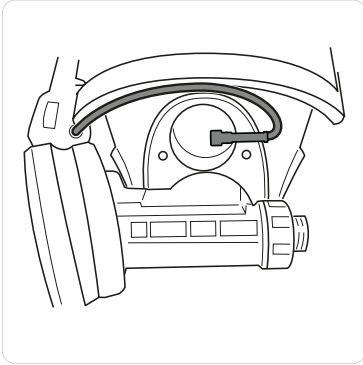


Installez le microphone sur le masque Spiromatic

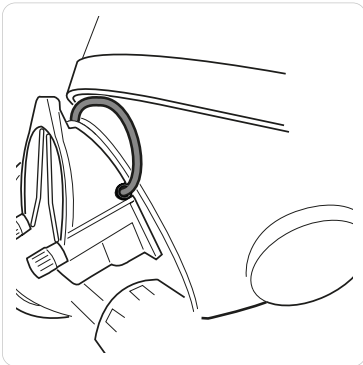
1. Desserrez les vis à main et retirez le cône phonique externe/la plaque d'obturation.
2. Passez le câble du microphone entre le bas de la monture de la visière et la partie avant du masque.



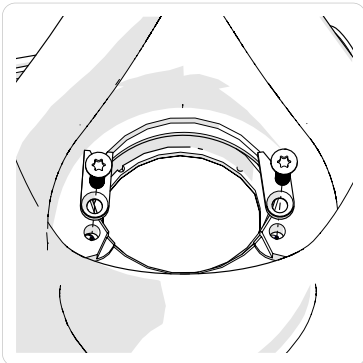
3. Positionnez le microphone de façon à ce qu'il soit au centre de la partie avant du masque.



4. Installez le cône phonique externe en serrant les vis à main. Vérifiez que le câble du microphone est correctement installé dans la fente du cône phonique.

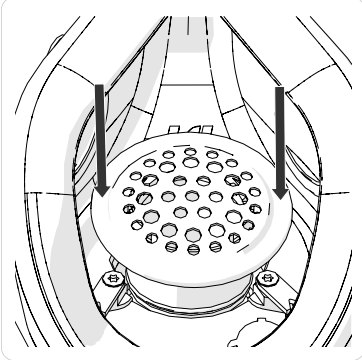


5. Fixez les deux pattes dans le masque avec les deux vis.

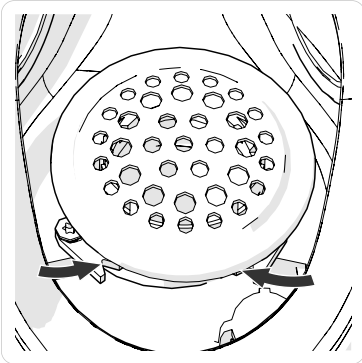


6. Vérifiez que les vis des loquets sont correctement serrées de façon à ce que les loquets puissent tourner régulièrement.
7. Vérifiez que les pattes d'arrêt de la membrane phonique sont tournées vers les loquets. Tenez la membrane phonique par les bords et insérez délicatement la membrane phonique en place.

REMARQUE : N'appuyez pas au centre de la membrane phonique car cela pourrait la déformer.

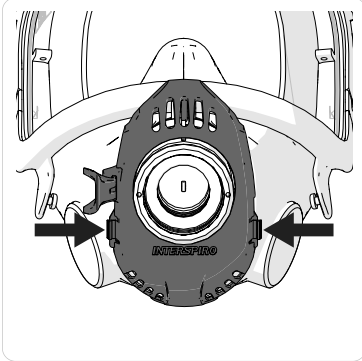


8. Faites tourner les loquets à l'aide d'un tournevis ou d'un outil similaire pour qu'ils bloquent la membrane phonique.

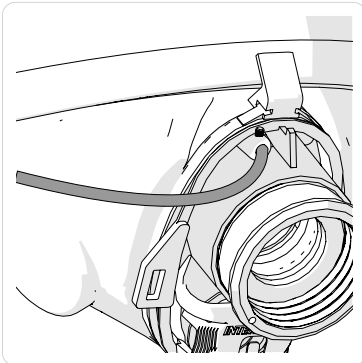


Installez le microphone sur le masque N / PE / ESA avec nouvelle protection

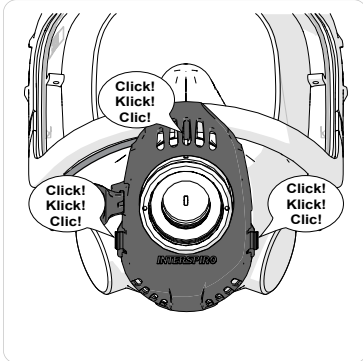
1. Retirez la protection du masque en appuyant sur les loquets de verrouillage.



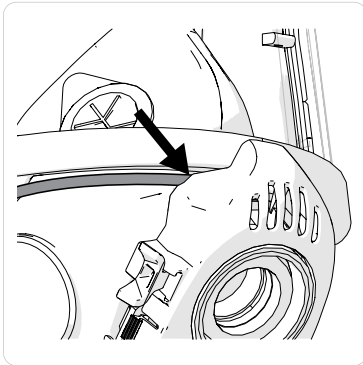
2. Insérez le microphone dans la partie avant du masque. La vis supérieure doit toucher le bord.



3. Placez la protection du masque.

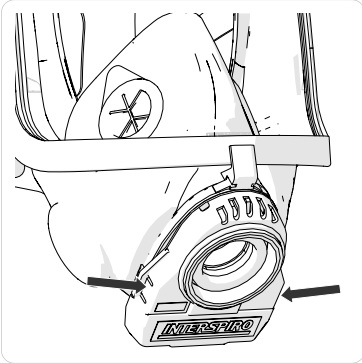


4. Assurez-vous que le câble du microphone est correctement positionné entre la protection et le masque.

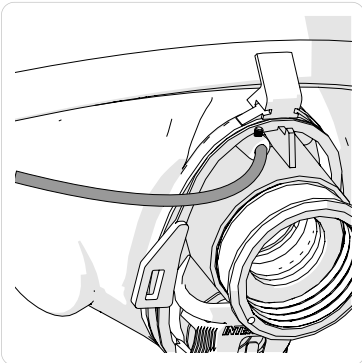


Installez le microphone sur le masque N/PE/ESA avec ancienne protection

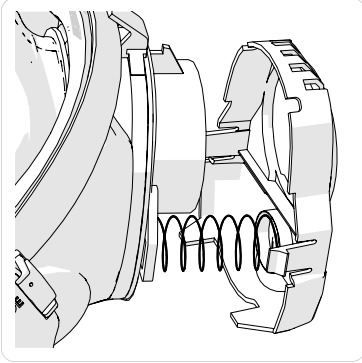
1. Retirez la protection du masque en appuyant sur les loquets de verrouillage.



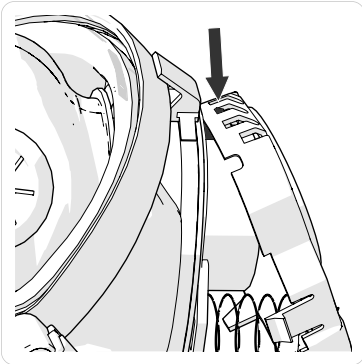
2. Insérez le microphone dans la partie avant du masque. La vis supérieure doit toucher le bord.



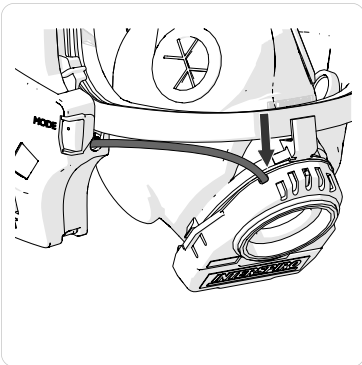
3. Placez le côté extérieur du ressort du clapet d'expiration dans la cavité circulaire à l'intérieur de la protection du masque.



4. Insérez le "crochet" supérieur du connecteur dans le trou central (partie supérieure) de la protection du masque.



5. Poussez la partie inférieure de la protection du masque vers le masque jusqu'à ce qu'elle soit verrouillée. Assurez-vous que le câble du microphone est correctement positionné entre la protection et le masque.



Pendant l'utilisation

Allumez le Spirocom

1. Appuyez 3 secondes sur le bouton MODE puis relâchez-le. L'écran affiche le niveau de charge des piles (ex. "b4") et puis le numéro du groupe.
2. Si l'appareil ne démarre pas ou que l'écran indique "LO", changez les piles.

Niveau de charge des piles

Le niveau de charge restant de la pile est indiqué sur l'écran lors de la mise sous tension du Spirocom. Il est indiqué en cinq niveaux, décrits ci-dessous.

- b4 = > 75% de charge restante.
- b3 = 50% - 75% de charge restante.
- b2 = 25% - 50% de charge restante.
- b1 = < 25% de charge restante.
- b0 = Moins de 2h de charge restante. Changez les piles lorsque ce niveau est atteint. Lorsque les piles atteignent ce niveau en cours d'utilisation, l'indicateur LED clignote en rouge et deux points s'affichent sur l'écran.
- Lo = La charge de batterie est trop faible. Changez les piles pour pouvoir démarrer l'appareil.

Connexion radio longue portée

Pour la transmission radio longue portée (PTT), l'unité peut être configurée avec deux types de connexion:

- Bluetooth - suivez les instructions de la section «Jumelage Bluetooth» ci-dessous.
- Adaptateur radio - suivez les instructions du manuel d'utilisation séparé de l'adaptateur radio.

Fonction Bluetooth®

Jumelage Bluetooth®

1. Appuyez sur le bouton de réglage et maintenez-le dans cette position.
2. Pressez sur le bouton MODE pendant 3 secondes et relâchez-le.

3. Relâchez le bouton de réglage.
4. Le niveau de charge restant de la pile est indiqué sur l'écran.
5. Le numéro de groupe valide est entendu dans le haut-parleur.
6. L'affichage change et affiche «P» et 3 tonalités de même hauteur dans le haut-parleur perceptible pour indiquer que le Spirocom est visible pour la radio longue portée pour le jumelage Bluetooth®.



Avis

Veillez noter que l'appareil ne se mettra pas en marche tant que le bouton de réglage n'a pas été relâché.

7. Cherchez les appareils Bluetooth® qui se servent de la radio longue portée.
8. Sélectionnez le Spirocom pour le jumelage avec la radio longues portée.
9. L'écran affiche le numéro du groupe.
10. Le Spirocom sonne 3 tonalités d'une intensité croissante dans l'écouteur pour indiquer que le Spirocom est maintenant jumelé en mode Bluetooth® et connecté avec la radio longue portée.



Avis

Veillez noter qu'un nouveau jumelage est requis quand les batteries ont été remplacées dans le Spirocom.

Connexion Bluetooth® d'un appareil jumelé

Quand une radio longue portée (qui a été jumelée avec Spirocom) et/ou le Spirocom a été mis hors tension et sous tension à nouveau, il est possible que la connexion Bluetooth® doive être rétablie manuellement à l'aide de la radio longue portée. Ceci est le cas quand la radio longue portée ne se connecte pas automatiquement aux appareils jumelés.

1. Allumez le Spirocom.
2. Sélectionnez le Spirocom à connecter en mode Bluetooth® avec la radio longue portée.
3. Le Spirocom sonne 3 tonalités d'une intensité croissante dans l'écouteur pour indiquer que le Spirocom est maintenant connecté en mode Bluetooth® avec la radio longue portée.

Avertissements Bluetooth®

- Si une connexion Bluetooth® établie se déconnecte, le Spirocom sonne 3 tonalités d'une intensité décroissante dans l'écouteur pour indiquer que la connexion a été perdue.
- Si la connexion est rétablie le Spirocom sonne 3 tonalités simple d'une intensité croissante.

Fonction Team Talk

- Au démarrage du Spirocom, le numéro de groupe est celui utilisé lors de la dernière utilisation.
- Pour modifier le numéro du groupe, poussez le bouton de réglage vers le haut ou vers les bas. Le numéro du groupe peut être modifié jusqu'à ce que le Spirocom ait été connecté à un groupe.
- Lorsque le Spirocom se connecte à un groupe, le signal "*connecté*" est émis dans l'écouteur et le numéro du groupe reste affiché sur l'écran.
- Si le numéro du groupe doit être modifié après que le Spirocom ait été connecté à un groupe, l'appareil doit être redémarré.

Unité de projection vocale (VPU)

Si l'unité est configurée avec la fonction de commutation VPU, elle démarre par défaut en mode Team Talk uniquement. En appuyant et en relâchant rapidement le bouton MODE, l'appareil commutes entre «Team Talk uniquement, pas de VPU» et «VPU uniquement, pas de Team Talk».

Transmission radio longue portée (PTT)

1. Poussez le bouton PTT vers le haut et maintenez-le pour démarrer une transmission.
2. Attendez que l'indicateur LED s'allume en rouge et qu'un signal sonore se fasse entendre dans l'écouteur. Vous pouvez parler.
3. Relâchez le bouton PTT pour terminer la transmission.

Réglage du volume

- Le volume de l'écouteur peut être réglé après que le Spirocom ait été connecté à un groupe.
- Il existe 5 niveaux de volume. Le niveau par défaut est le 3 (moyen).
- Poussez le bouton de réglage vers le haut ou vers le bas pour modifier le volume. Chaque niveau est indiqué par un signal sonore (bip) dans

l'écouteur. Le niveau le plus faible et le niveau le plus élevé sont indiqués par un double bip.

Fonction MUTE pour Team Talk

Le microphone du Spirocom peut être coupé (MUTE) à l'aide du bouton de réglage pour la fonction Team Talk.

MUTE activé : Maintenez le bouton de réglage appuyé (environ 4 secondes) jusqu'à ce que l'indicateur LED clignote en rouge.

MUTE désactivé : Poussez une fois le bouton de réglage vers le haut ; l'indicateur LED arrête de clignoter.

Déconnexion du Spirocom

1. Maintenez le bouton MODE appuyé (environ 7 secondes) jusqu'à ce que l'écran affiche "- -" et que l'indicateur LED s'allume en rouge.
2. Relâchez le bouton MODE.

Le Spirocom se coupe automatiquement après 15 minute si aucun son n'est détecté par le microphone.

Après utilisation

Remplacement des piles



Avertissement

Le remplacement des piles doit uniquement être effectué dans un endroit non dangereux.



Avis

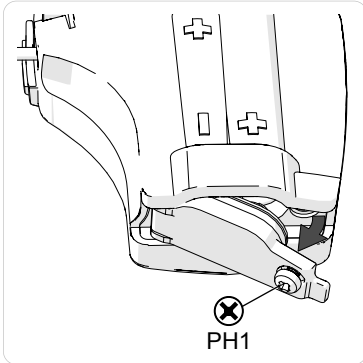
Utilisez uniquement les piles alcalines AAA Duracell MN2400, Procell Constant AAA ou Energizer E92 spécifiées. Interspiro décline toute responsabilité pour tout type de dysfonctionnement mécanique, électrique ou autre lié aux piles.

Ne mélangez pas des piles de marques différentes et ne mélangez pas des piles neuves et des piles usagées.

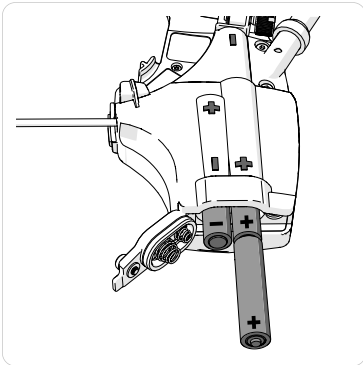
Le froid pendant le stockage ou l'utilisation réduit la durée de vie des piles.

Spirocom sans fil

1. Desserrez la vis à l'aide d'un tournevis et ouvrez le couvercle du boîtier piles.



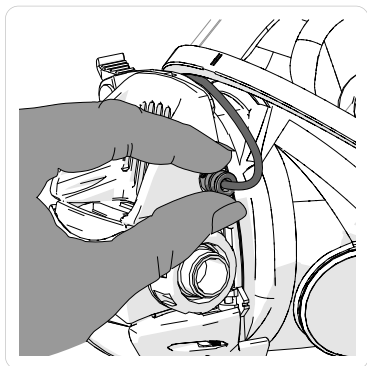
2. Retirez les piles usagées.
3. Insérez des piles neuves. Vérifiez que les piles sont correctement insérées, conformément au schéma figurant au dos du Spirocom.



4. Refermez le couvercle et serrez modérément la vis.

Nettoyage et séchage

1. Assurez-vous de tenir le microphone lorsque vous le retirez du masque.
Ne tirez pas sur le fil.



2. Nettoyez le Spirocom avec une éponge humide. Utilisez un détergent doux le cas échéant.
3. Laissez le Spirocom sécher à la verticale.

Waste Electrical and Electronic Equipment (WEEE) Instructions d'élimination

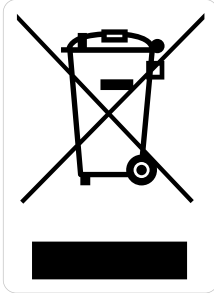
Conformément à la directive 2002/96/CE de la Communauté européenne, applicable à partir du 27 janvier 2003, il est important d'éliminer les déchets d'équipements électriques et électroniques (DEEE) de manière écologiquement responsable.

Élimination correcte de ce produit:

1. Ne pas jeter avec les déchets ordinaires : ce produit est marqué du symbole de la poubelle à roulettes barrée. Cela indique qu'il ne doit pas être jeté avec les déchets ménagers ordinaires.
2. Collecte séparée : Pour éviter tout dommage potentiel à l'environnement et à la santé humaine dû aux substances dangereuses contenues dans les équipements électriques et électroniques, assurez-vous que ce produit est éliminé dans une installation de recyclage agréée ou via un système de collecte dédié.
3. Réglementation locale en matière d'élimination : veuillez consulter votre autorité locale de gestion des déchets ou le revendeur auprès duquel vous avez acheté le produit pour obtenir des informations sur les points de collecte ou les programmes de recyclage agréés. Ces installations

veilleront à ce que les DEEE soient recyclés correctement, réduisant ainsi l'impact sur l'environnement.

4. Mise au rebut des piles : Si votre produit contient des piles, jetez-les séparément conformément aux lois et réglementations locales en vigueur en matière de mise au rebut des piles. En mettant au rebut ce produit de manière appropriée, vous contribuez à la réutilisation durable des matériaux et à la conservation des ressources naturelles. Pour plus d'informations sur le recyclage et la mise au rebut, veuillez contacter les autorités locales.



Säkerhetsanvisningar

Produkten får endast användas tillsammans med andra godkända produkter från Interspiro. Produkten måste underhållas, erhålla service samt testas enligt den här användarhandboken, Interspiros servicehandböcker och Interspiros testanvisningar.

Interspiro ansvarar inte för:

- kombinationer av produkter, om dessa inte säljs av Interspiro
- förändringar eller anpassningar av produkten utförda av tredje part

Ändringar kan företas i detta dokument när som helst utan förvarning om de är nödvändiga på grund av typografiska fel, felaktigheter i informationen eller beroende på förbättringar eller förändringar av utrustningen.

Vid exponering för extrema förhållanden kan andra åtgärder än de som beskrivs i den här handboken krävas. Dessa säkerhetsanvisningar medför inte att garantierna som anges i försäljningsvillkoren utökas.

Säkerhetstermer och symboler

I detta dokument används uttrycken VARNING och OBS! för att indikera tänkbara säkerhetsrisker. Läs den tillhörande informationen noga och följ säkerhetsanvisningarna.



Varning

VARNING är en typ av riskangivelse som innebär att det kan finnas en risk för allvarlig personskada eller dödsfall.



Obs!

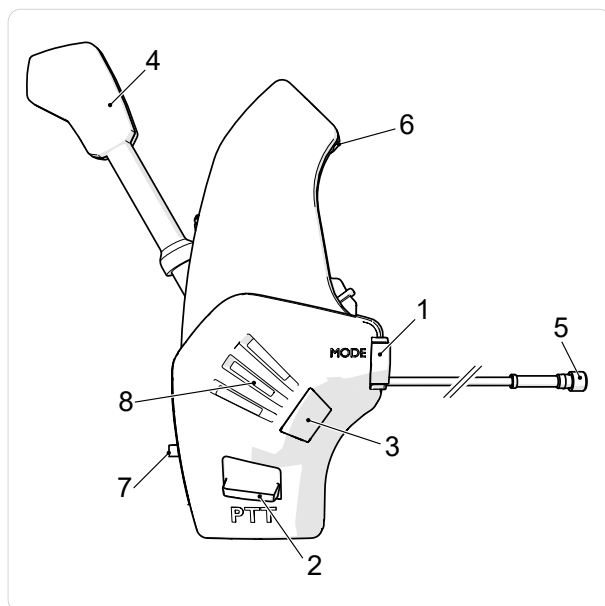
OBS! innebär att det kan finnas en risk för skador på utrustning eller egendom.

Före användning

Översikt

Spirocom wireless maskenhet är utvecklad för trådlös kommunikation via långdistansradion. Den har även funktion för gruppkommunikation (Team Talk), PTT och, som tillval, röstförstärkare (VPU).

Delar på Spirocom



1. MODE-knapp
2. PTT-knapp
3. Display
4. Högtalare
5. Mikrofon
6. LED-indikator
7. Justeringsknapp
8. Utvändig högtalare (VPU) [tillval]

Tekniska data för Spirocom wireless

Kapslingsklass

Klass	Notering
IP67	Gäller för försluten enhet, exklusive mikrofon.

Frekvens

Region	Frekvens
Europa	868 MHz
USA	915 MHz

Godkännanden

Godkännande	Notering
CE	Godkänd
FCC	ID: YDFSCMBT34320

Maskenheten är egensäker

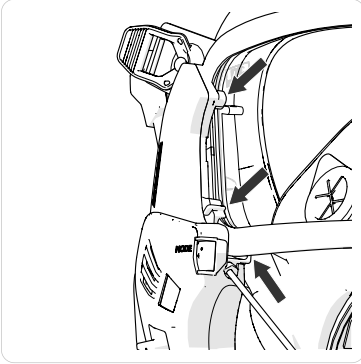
Region	Notering
Europa	GA Exia IIB T4, -30°C - + 60°C
USA	UL913, för användning i klass I, Division 1, Grupp C, D Explosionsfarliga miljöer

Utbyte av komponenter kan påverka egensäkerheten.

This device complies with part 15 of the FCC Rules. Operation is subject to the following two conditions: (1) This device may not cause harmful interference, and (2) this device must accept interference received, including interference that may cause undesired operation. Changes or modifications not expressly approved by the party responsible for compliance could void the user's authority to operate the equipment. This equipment has been tested and found to comply with the limits for a Class A digital device, pursuant to part 15 of the FCC rules. These limits are designed to provide reasonable protection against harmful interference with the equipment is operated in a commercial environment. This equipment generates, uses, and can radiate radio frequency energy and, if not installed and used in accordance with the instruction manual, may cause harmful interference to radio communication. Operation of this equipment in a residential area is likely to cause harmful interference in which case the user will be required to correct the interference at his own expense.

Montera Spirocom på masken

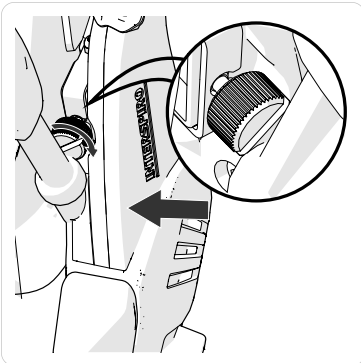
1. Montera Spirocom på masken med krokarna runt maskhalvorna.



2. Version med snabbfäste: Tryck Spirocom mot masken tills låsspinnen klickar fast i fästets hål.



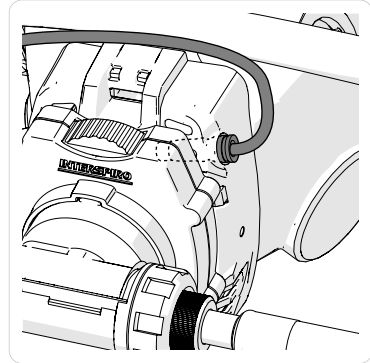
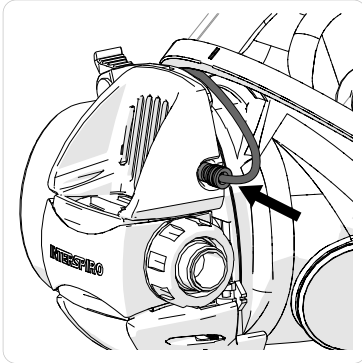
3. Version med handskruv: Tryck Spirocom mot masken och skruva åt handskruvén måttligt hårt.



4. Säkerställ att Spirocom är ordentligt monterad på masken.

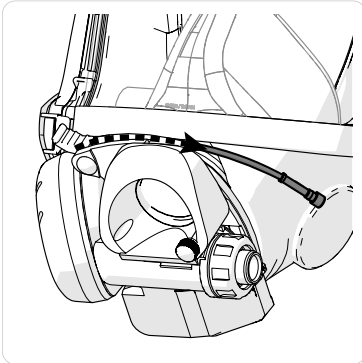
Montera mikrofonen på Inspire / Respire

1. Montera mikrofonkabeln mellan nedre delen av ramhalvorna och talkonan.
2. Montera in mikrofonen i det avsedda hålet i talkonan.



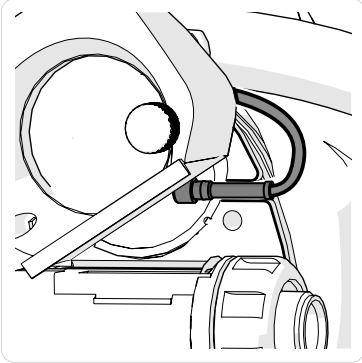
Montera mikrofonen i S-masken

1. Montera mikrofonkabeln mellan nedre delen av ramhalvorna och talkonan.

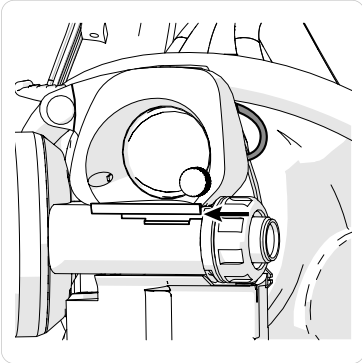


2. Lossa handskraven på talkonan och vrid den uppåt.

3. Montera mikrofonen med den smala delen i spåret.



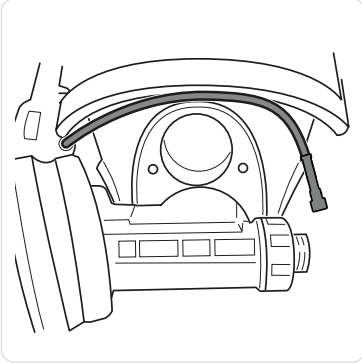
4. Vrid tillbaka talkonan och skruva åt handskraven.
5. När talkonan är i rätt position täcker dess nedre kant serienumret på andningsventilen.



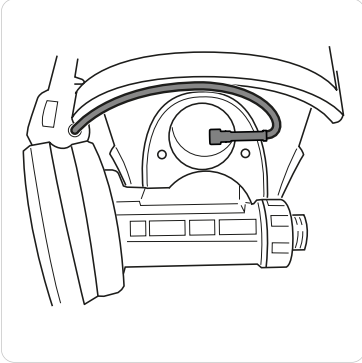
Montera mikrofonen i Spiromaticmasken

1. Lossa handskruvarna och ta bort den externa talkonan/skyddet.

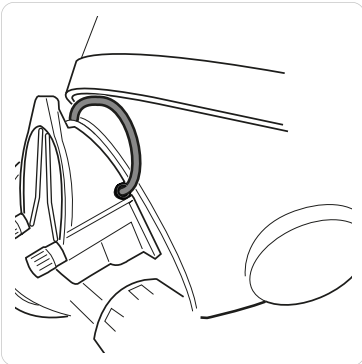
2. Montera mikrofonkabeln mellan nedre delen av ramhalvorna och talkonan.



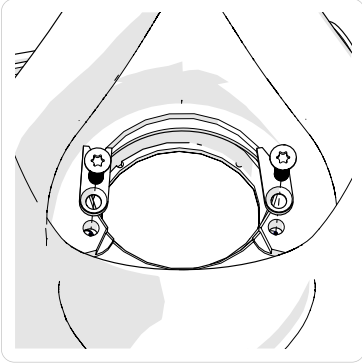
3. Centra mikrofonen i maskens front.



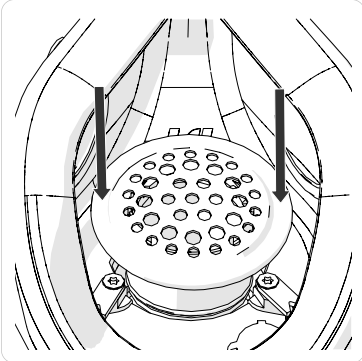
4. Montera talkonan och dra åt handskruvarna. Se till att mikrofonkabeln är korrekt placerad i talkonans spår.



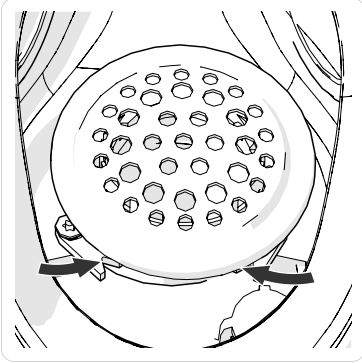
5. Montera de medföljande låsplattorna i masken med skruvarna.



6. Kontrollera att låsplattornas skruvar är korrekt åtdragna så att låsplattorna kan vridas jämnt.
7. Kontrollera att talmembranets låsklackar är vända mot låsplattorna. Håll i talmembranets kanter och tryck försiktigt ner det på plats i masken.
- NOTERA: Tryck inte i mitten på talmembranet då det kan bli deformerat.

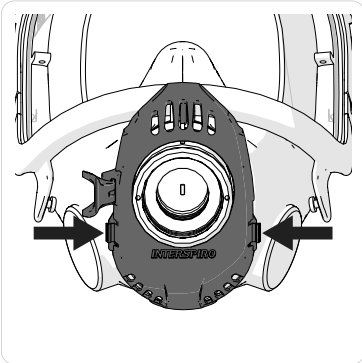


8. Lås talmembranet genom att vrida låsplattorna över låsklackarna med hjälp av en skruvmejsel eller liknande.

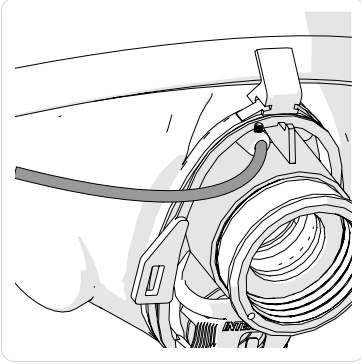


Montera mikrofonen i N/PE/ESA mask med nya täcklocket

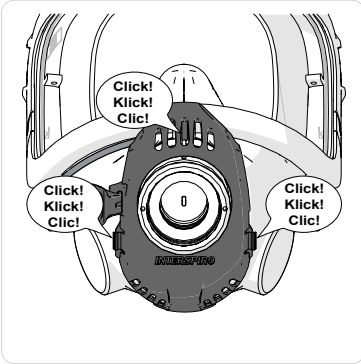
1. Ta bort täcklocket genom att trycka in flikarna på täcklockets sidor.



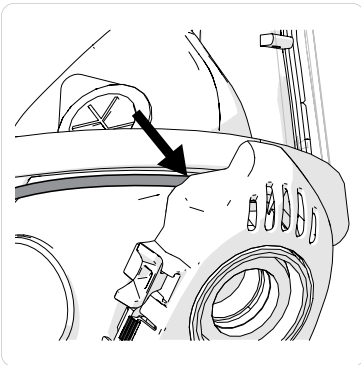
2. Montera mikrofonen i främre delen av masken. Tryck in mikrofonen tills stoppskruven går emot kanten.



3. Montera täcklocket.

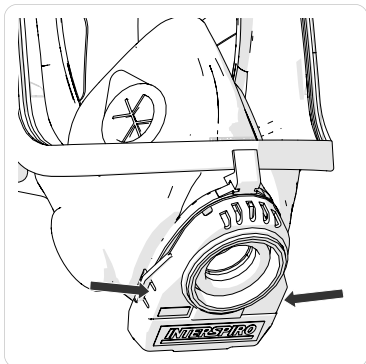


4. Se till att mikrofonkabeln är rätt monterad mellan täcklocket och masken.

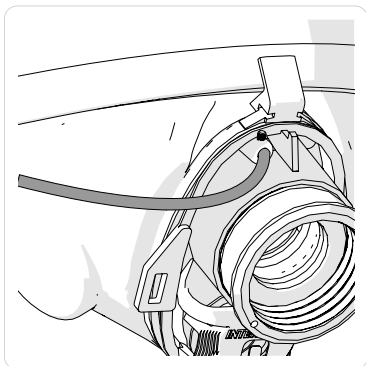


Montera mikrofonen i N/PE/ESA mask med gamla täcklocket

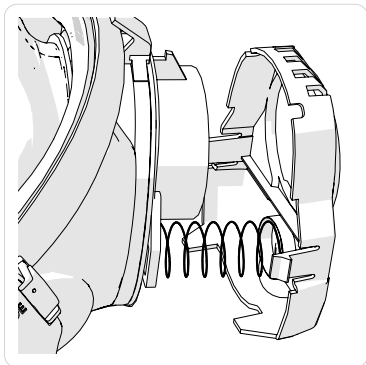
1. Ta bort täcklocket genom att trycka in flikarna på täcklockets sidor.



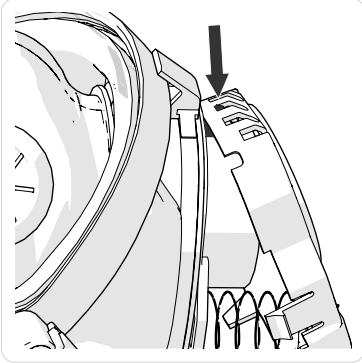
2. Montera mikrofonen i främmanden av masken. Tryck in mikrofonen tills stoppskruven går emot kanten.



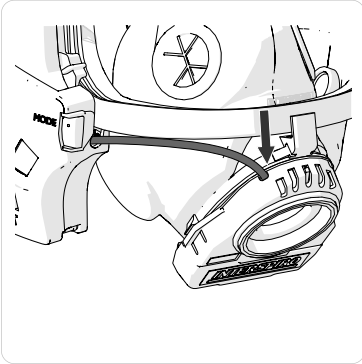
3. Placera ytterändan av fjädern i det runda hålet på insidan av täcklocket.



4. Börja med att montera täcklocket med dess övre mittenhål på klacken.



5. Tryck täcklocket mot masken tills det klickar fast. Se till att mikrofonkabeln är rätt monterad.



Användning

Starta enheten

1. Tryck ner MODE-knappen 3 sekunder. Displayen visar först batterinivån sen senast använda gruppnummer.
2. Om enheten inte startar eller om displayen visar "LO" måste batterierna bytas ut.

Indikering av batterinivå

Den återstående batterinivån visas i displayen när enheten startar. Det finns fem nivåer.

- b4 = > 75% av batterikapaciteten återstår.
- b3 = 50% - 75% av batterikapaciteten återstår.
- b2 = 25% - 50% av batterikapaciteten återstår.
- b1 = < 25% av batterikapaciteten återstår.
- b0 = Mindre än 2 timmars batterikapacitet återstår. När denna nivå visas ska batterierna bytas ut. När denna nivå under användning börjar LED indikatorn att blinka rött och två prickar visas på displayen.
- Lo = Batterinivån är för låg. Byt batterierna för att starta enheten.

Anslut långdistansradio

För att aktivera långdistansradion (PTT) kan enheten konfigureras med två anslutningstyper:

- Blåtand - följ instruktionerna i nästföljande kapitel "Blåtandsfunktionen".
- Radioadapter - följ instruktionerna i den separata användarhandboken för radioadaptorn.

Blåtandsfunktionen

Parkoppla Spirocom med långdistansradion

1. Tryck och håll ner justeringsknappen.
2. Tryck in MODE-knappen i 3 sekunder och släpp den sedan.
3. Släpp justerknappen.
4. Batteristatus syns i displayen.

5. Aktuellt gruppnummer hörs i högtalaren.
6. Displayen växlar till att visa "P" och 3 pip i samma tonläge hörs i högtalaren för att indikera att Spirocomen är synlig för parkoppling via blåtand till långdistansradion.



Obs!

Enheten startar inte förrän man släpper upp justeringsknappen.

7. Sök efter blåtandsenheter via långdistansradion.
8. Välj den Spirocom som du vill ansluta till långdistansradion.
9. Displayen visar gruppnumret.
10. Spirocomen piper 3 gånger i ett ökande tonläge när den ansluts till långdistansradion.



Obs!

Det är nödvändigt att parkoppla Spirocomen med långdistansradion varje gång batterierna byts.

Återanlutning av enheter som tidigare varit parkopplade via blåtand.

När långdistansradion inte har automatisk parkoppling av enheter behöver man göra om parkopplingen varje gång som Spirocomen och/eller långdistansradion har varit avstängd.

1. Starta Spirocomen.
2. Välj den Spirocom som du vill koppla till långdistansradion.
3. Spirocomen piper 3 gånger i ett ökande tonläge när den ansluter till långdistansradion.

Blåtandsnotifikationer

- Om Spirocomen tappar blåtandsanslutningen mot långdistansradion piper den 3 gånger med lägre ton för varje pip.
- När Spirocomen och långdistansradion parkopplas igen piper Spirocomen 3 gånger i ett ökande tonläge.

Gruppkommunikation (Team Talk)

- Enheten startar med det senast använda gruppnumret.
- Tryck Justeringsknappen upp eller ner för att ändra gruppnumret. Gruppnumret kan ändras ända tills Spirocom har kopplat upp sig mot en grupp.
- När enheten kopplar upp sig mot en grupp hörs "connected" i högtalaren och gruppnumret lyser med fast sken i displayen.
- För att ändra gruppnumret efter att enheten har kopplat upp sig mot en grupp så måste enheten startas om.

Röstförstärkare (VPU)

Om enheten är inställd med röstförstärkarfunktion så startar den automatiskt i Team Talk-läge. Tryck ner och släpp MODE-knappen för att byta till VPU-läge (då stängs Team Talk-funktionen av).

Aktivera långdistansradion (PTT)

1. Lyft och håll kvar PTT-knappen för att aktivera långdistansradion.
2. Vänta tills LED-lampan tänds och ett pip hörs i högtalaren.
3. Släpp PTT-knappen för att avaktivera långdistansradion.

Justera volymen

- Volymen i högtalaren kan justeras efter att Spirocom har kopplat upp sig på en grupp.
- Det finns 5 volymlägen och enheten startas alltid i läge 3 (medium).
- Tryck Justeringsknappen upp eller ner för att ändra volymen, varje knapptryckning ändrar volymen ett steg, vilket indikeras med ett pip i högtalaren. Den högsta och den lägsta volymnivån indikeras med två pip.

Mute-funktion för Team Talk

Tryck på Justeringsknappen för att stänga av mikrofonens ljud för Team Talk funktionen.

Mute: Tryck ner Justeringsknappen (cirka 4 sekunder) tills LED-indikatorn börjar lysa rött.

Unmute: Tryck upp och släpp Justeringsknappen en gång så att LED-indikatorn släcks.

Stänga av enheten

1. Håll MODE-knappen intryckt tills displayen visar "--" och LED-indikatorn tänds (cirka 7 sekunder).
2. Släpp MODE-knappen.

Enheden kommer automatiskt att stängas av om inget ljud kan registreras av mikrofonen under 15 minuter.

Efter användning

Byta batterier



Varning

Batterierna får enbart bytas i en omgivning som man vet är säker.



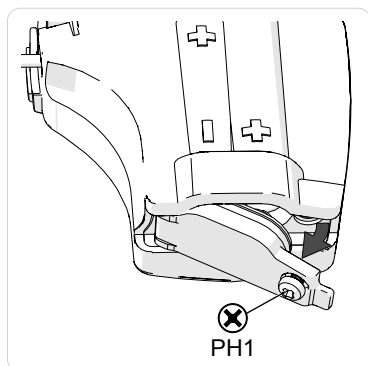
Obs!

Använd endast de specificerade alkaliska batterierna "Duracell MN2400", "Procell Constant AAA" eller "Energizer E92" av AAA-typ. Interspiro tar inget ansvar för mekaniska, elektroniska eller några andra typer av fel på batterierna.

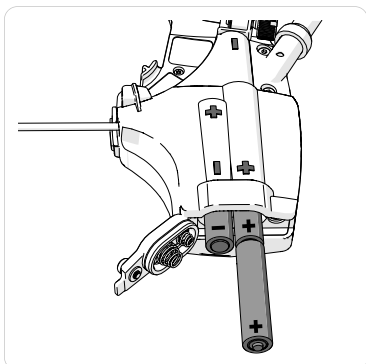
Blanda inte olika batterifabrikat eller gamla och nya batterier.

Låg temperatur vid lagring eller under användning minskar batteritiden.

1. Lossa skruven med en skruvmejsel och öppna batteriluckan.



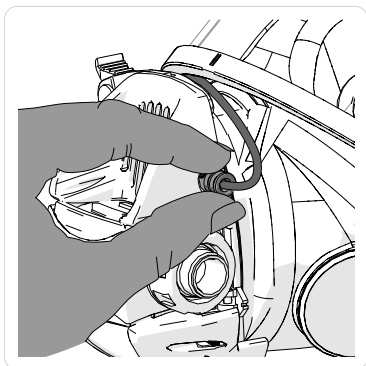
2. Ta ut de gamla batterierna.
3. Sätt in nya batterier. Se till att batterierna är vända enligt märkningen på baksidan av enheten.



4. Stäng batteriluckan och dra åt skruven måttligt.

Rengöring och torkning

1. Håll i mikrofonen när den ska demonteras från masken. Dra inte i kabeln.



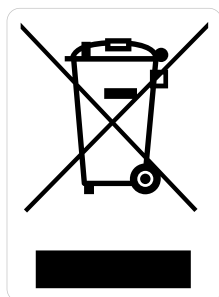
2. Rengör enheten med en fuktig svamp, vid behov kan ett mildt desinfektionsmedel användas.
3. Låt enheten torka i upprätt läge.

Waste Electrical and Electronic Equipment (WEEE) Avfallshanteringsinstruktioner

I enlighet med EU-direktivet 2002/96/EC, som gäller från och med den 27 januari 2003, är det viktigt att kassera avfall från elektrisk och elektronisk utrustning (WEEE) på ett miljömässigt ansvarsfullt sätt.

Korrekt kassering av denna produkt:

1. Släng inte i vanligt avfall: Denna produkt är märkt med den överkorsade soptunnan på hjul. Detta indikerar att det inte ska slängas som vanligt hushållsavfall.
2. Separat insamling: För att förhindra potentiella skador på miljön och människors hälsa från farliga ämnen i elektrisk och elektronisk utrustning, se till att denna produkt kasseras på en auktoriserad återvinningsanläggning eller genom ett dedikerat insamlingsystem.
3. Lokala avfallsföreskrifter: Kontakta din lokala avfallshanteringsmyndighet eller återförsäljaren där du köpte produkten för information om godkända insamlingsställen eller återvinningsprogram. Dessa anläggningar kommer att säkerställa att WEEE återvinns på rätt sätt, vilket minskar påverkan på miljön.
4. Kassering av batterier: Om din produkt innehåller batterier, kassera dem separat i enlighet med lokala lagar och förordningar för batterikassering. Genom att kassera denna produkt på rätt sätt bidrar du till hållbar återanvändning av material och bevarande av naturresurser. För mer information om återvinning och kassering, kontakta dina lokala myndigheter.





INTERSPIRO

Keeps You Breathing