



Keeps You Breathing

ENGLISH  
GERMAN  
SWEDISH  
FRENCH

# SPIROLINE HP

*High pressure system - Système haute pression -  
Hochdrucksystem - Högtryckssystem*

---

User Manual - Manuel de l'utilisateur - Benutzerhandbuch -  
Handhavande Manual

97874C91

# TABLE OF CONTENTS - TABLE DES MATIÈRES - INHALTSVERZEICHNIS - INNEHÅLLSFÖRTECKNING

## USER MANUAL

1. SAFETY NOTE.....	3
2. TECHNICAL DESCRIPTION.....	4
3. PREPARATIONS BEFORE USE.....	8
4. DURING USE - INSTRUCTIONS FOR HANDLING OF THE DISTRIBUTION PANEL.....	9
5. HANDLING OF THE AIR SUPPLY HOSE.....	9
6. AFTER USE.....	10
7. CLEANING.....	11
8. STORAGE AND TRANSPORT.....	11
9. SERVICE AND MAINTENANCE.....	12

## MANUEL DE L'UTILISATEUR

1. INSTRUCTIONS DE SÉCURITÉ.....	13
2. DESCRIPTION TECHNIQUE.....	14
3. PRÉPARATION AVANT UTILISATION.....	18
4. EN COURS D'UTILISATION - INSTRUCTIONS DE MANIEMENT DU PANNEAU DE DISTRIBUTION.....	20
5. MANIEMENT DU TUYAU D'ALIMENTATION EN AIR.....	20
6. APRÈS UTILISATION.....	20
7. NETTOYAGE.....	21
8. STOCKAGE ET TRANSPORT.....	22
9. ENTRETIEN ET MAINTENANCE.....	22

## BEDIENUNGSANLEITUNG

1. SICHERHEITSANWEISUNG.....	23
2. TECHNISCHE BESCHREIBUNG.....	24
3. VORBEREITUNGEN VOR DEM EINSATZ.....	28
4. WÄHREND DES GEBRAUCHS ANWEISUNGEN FÜR DEN UMGANG MIT DER VERSORGUNGSEINHEIT.....	30
5. HANDHABUNG DES LUFTVERSORGUNGS- SCHLAUCHES.....	30
6. NACH DEM GEBRAUCH.....	30
7. REINIGUNG.....	31
8. LAGERUNG UND TRANSPORT.....	32
9. SERVICE UND WARTUNG.....	32

## HANDHAVANDEMANUAL

1. SÄKERHETSANVISNING.....	33
2. TEKNISK BESKRIVNING.....	34
3. FÖRBEREDELSE FÖR ANVÄNDNING.....	38
4. VID ANVÄNDNING - INSTRUKTIONER FÖR SKÖTSEL AV DISTRIBUTIONSPANEL.....	40
5. SKÖTSEL AV LUFTFÖRSÖRJNINGSSLANG.....	40
6. EFTER ANVÄNDNING.....	40
7. RENGÖRING.....	41
8. FÖRVARING OCH TRANSPORT.....	42
9. SERVICE OCH UNDERHÅLL.....	42

# SPIROLINE HP

## High-pressure system

### 1 SAFETY NOTE

The product may only be used together with approved components from Interspiro in accordance with the specifications in this manual. The product may only be used by individuals in good health who have been trained in the use of respiratory protection equipment. If the product is used by someone with a beard or long sideburns, there is a risk of inadequate sealing. The apparatus must be maintained, serviced and tested in accordance with the instructions in the user manual, service manuals and operating instructions from Interspiro.

---

#### INTERSPIRO ACCEPTS NO LIABILITY FOR



- ✦ MAINTENANCE AND REPAIRS DONE BY PERSONS WHO DO NOT POSSESS A SERVICE CERTIFICATE ISSUED BY INTERSPIRO
  - ✦ PRODUCT COMBINATIONS OTHER THAN THOSE MARKETED BY INTERSPIRO
  - ✦ PRODUCT MODIFICATIONS OR ADAPTATIONS BY THIRD PARTIES
- 



Changes may be made to this manual without prior notice. Visit [www.interspiro.com](http://www.interspiro.com) regularly for updates and information about products, documentation and service bulletins. Exposure to extreme conditions, may require measures other than those described in this manual. These safety instructions do not increase or affect Interspiro's liability and warranty terms.



The breathing air with which the cylinders are charged must meet the requirements according to EN 12021, being free from oil, toxic substances and having low humidity.



The Spiroline HP system must not be used under water. When a lifeline is required, a fall arrest harness must be connected to the apparatus.



The duration time of a breathing apparatus depends on the amount of air in the cylinder(s) and the air consumption, which varies with the user and is affected by the workload.



If the ambient temperature is 0 °C or lower, ice on the outside may prevent the warning whistle from working. Under such conditions, the pressure gauge of the apparatus must be checked more often.



When working with a breathing apparatus that have two independent cylinders mounted on the harness, both cylinders must be pressurized to the same working pressure. Always open both cylinder valves when pressurizing the apparatus and make sure that both cylinder valves are open when using the apparatus.



When using Spiroline HP together with a breathing apparatus, the pressure gauge of the breathing apparatus must be checked regularly. No active warning is given if air is consumed from the cylinder on the breathing apparatus.



When the apparatus is used with the Spiroline belt, no active warning is given if the air supply via the air supply hose stops.

## 2 TECHNICAL DESCRIPTION

The Spiroline HP high-pressure system consists of:

- distribution panel (DP1)
- air supply hose
- waist-fitted belt coupling (Spiroline belt) with facemask or breathing apparatus
- hose reel for air supply hose (accessory)

The waist-fitted belt coupling with facemask or a QS bail-out set/breathing apparatus is connected to an air source via DP1 with the air supply hose.

### **DISTRIBUTION PANEL (DP1)**

DP1 comprises an automatic shuttle valve, warning whistle, pressure gauge, adapter hoses and a connection to the air supply hose and air source. The connections to the air sources are suitable for both 200 and 300 bar.

The following accessories are included with the DP1:

- “OPEN” sign - Used to identify which air source is currently in use.
- Venting handle - Used to vent the unit
- Carbine hooks (two) - Used to anchor the air supply hose

If both adapter hoses are connected, the automatic shuttle valve connects automatically to the air source with the higher pressure.

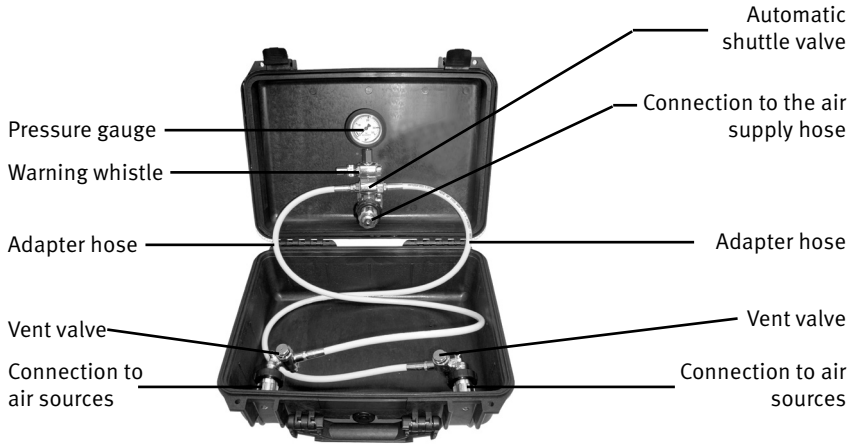
When the supply pressure falls to 55 bar, the warning whistle sounds and the air source must be replaced.

The adapter hoses are fitted with vent valves to reduce the pressure.

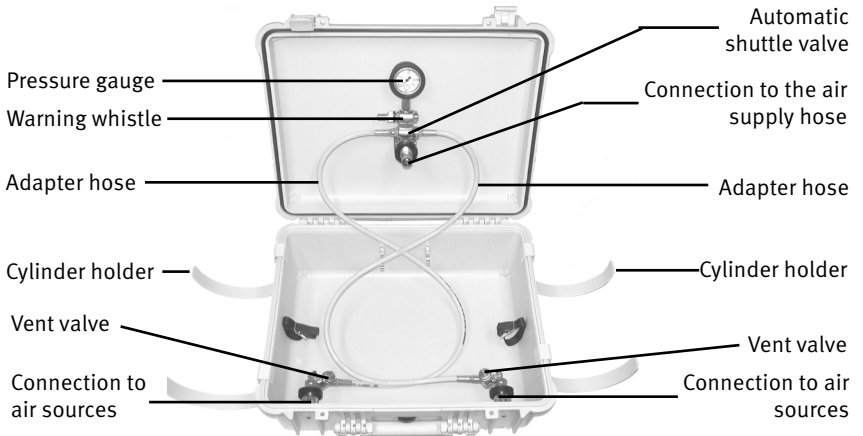
The pressure in the air source currently in use can be read off on the pressure gauge.

Check valves prevent reverse flow when the pressure in the system is reduced.

### VERSION 1



### VERSION 2



### ACCESSORIES



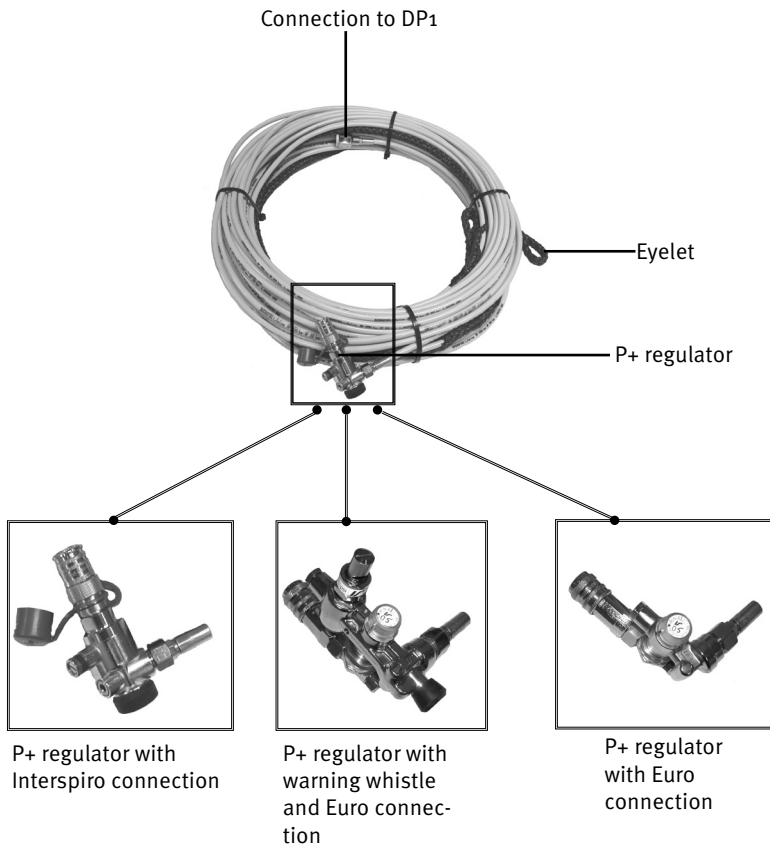
## AIR SUPPLY HOSE

The Spiroline HP system can be used with an air supply hose up to 120 meters in length.

The air supply hose is secured to the user with a quick-connection via a pressure regulator (P+ regulator) and to the distribution panel with a coupling that is tightened by hand. Versions with Interspiro quick connection on the P+ regulator has a locking ring to lock the connection to the manifold on the breathing apparatus or the Spiroline belt.

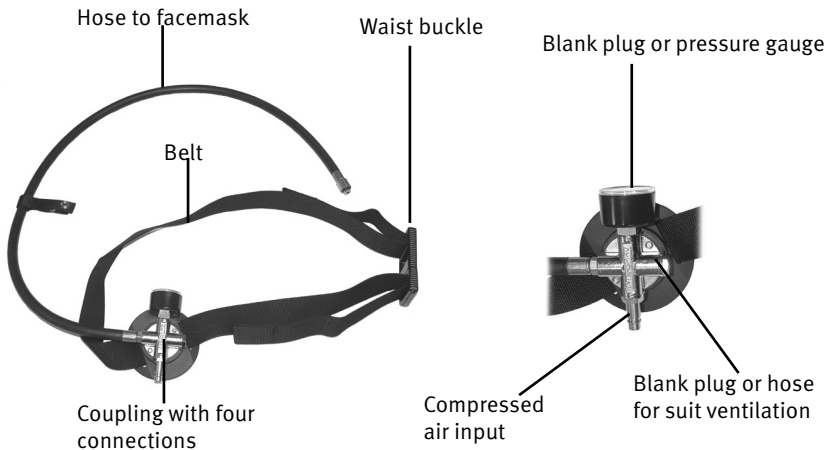
At the ends of the air supply hose there are eyelets for lines or couplings that can take up tension.

Maximum working pressure is 300 bar.



## SPIROLINE BELT

The Spiroline belt consists of a coupling with four connections mounted on a belt with a waist buckle. The hose to the facemask is connected as shown below. One connection is used as a compressed air input and is connected to the P+ regulator. In this connection there is a check valve to prevent toxic gases from getting in if the air supply hose is disconnected. The two other connections are fitted with blank plugs or the optional pressure gauge and the optional suit ventilation hose; see figure below.



### 3 PREPARATIONS BEFORE USE

#### PREPARATIONS FOR USERS OF THE DISTRIBUTION PANEL

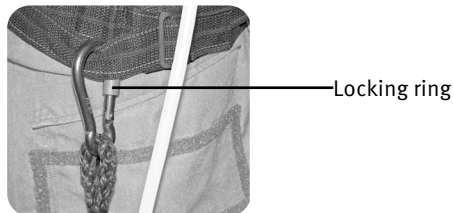
1. Open the distribution panel box and position it where the pressure gauge is easy to read.
2. Check that the air supply hose is correctly coiled; see the instructions in Section 5.
3. Connect the air supply hose to the distribution panel with the coupling and tighten the coupling by hand.
4. Securely attach the air supply hose with the eyelet to a fixed object. It is a good idea to use a carbine hook for this purpose. The air supply hose must be attached in such a way that the end couplings and the nipples are not bent or loaded, whatever the direction of the load.
5. Connect an adapter hose to an air source with sufficient pressure.
6. Connect the other adapter hose to an air source with sufficient pressure.
7. Close the vent valves on the adapter hoses.
8. Open the valve on one of the air sources and place the “OPEN-sign” on this air source. Check that the warning whistle first sounds and then stops sounding when the pressure goes above 60 bar.
9. Check that there is sufficient pressure in the air source by reading the pressure gauge.

*When the user of the breathing apparatus or spiroline belt has completed his/her preparations (see below), proceed as follows:*

10. Check that the quick coupling on the P+ regulator is securely connected to the Spiroline belt or the breathing apparatus.
11. Check that the eyelet on the air supply hose is securely connected to the user.
12. When using Spiroline HP with a breathing apparatus, you must check that the cylinder valve on the breathing apparatus is fully open.

#### PREPARATIONS FOR USERS OF BREATHING APPARATUS

1. Prepare and don the apparatus as described in the instructions for the breathing apparatus.
2. Lead one of the carbine hooks into the eyelet on the air supply hose. Attach the eyelet to the breathing apparatus waist belt according to image. Secure the eyelet by tightening the locking ring. The air supply hose must be attached in such a way that the end couplings and the nipples are not bent or loaded, whatever the direction of the load.





3. Check that the air supply hose is pressurised. Connect the quick coupling on the P+ regulator to the breathing apparatus. For versions with Interspiro quick connection, lock it with the locking ring.
4. Open the cylinder valve on the breathing apparatus.

---

**NOTE!** THE CYLINDER VALVE OF THE BREATHING APPARATUS MUST BE OPEN IN USE. THE P+ REGULATOR HAS A HIGHER SECONDARY PRESSURE THAN THE NORMAL AIR SUPPLY PRESSURE FROM THE BREATHING APPARATUS. AS A RESULT, THE AIR SUPPLY FROM THE BREATHING APPARATUS IS CLOSED IN NORMAL USE.



UNLESS THE P+ REGULATOR IS EQUIPPED WITH A WARNING WHISTLE THERE IS NO ACTIVE WARNING GIVEN TO THE USER WHEN AIR IS TAKEN FROM THE BREATHING APPARATUS/QS BAIL-OUT SET AIR SOURCE. CONSEQUENTLY, THE PRESSURE GAUGE ON THE BREATHING APPARATUS/QS BAIL-OUT SET MUST BE CHECKED REGULARLY.

---

### **PREPARATIONS FOR USERS OF THE SPIROLINE BELT**

1. Undo the buckle and the belt.
2. Don the belt and fasten the buckle.
3. Grasp the straps and adjust the belt by pulling them until the belt is comfortable.
4. Connect the breathing hose from the Spiroline belt to the breathing valve.
5. Prepare and don the facemask in accordance with the instructions for the facemask.
6. Using one of the carbine hooks, attach the eyelet on the air supply hose in a suitable manner. The air supply hose must be attached in such a way that the end couplings and the nipples are not bent or loaded, whatever the direction of the load.
7. Check that the air supply hose is pressurised. Connect the quick coupling on the P+ regulator to the Spiroline belt. For versions with Interspiro connection lock it with the locking ring.

### **4 DURING USE - INSTRUCTIONS FOR HANDLING OF THE DISTRIBUTION PANEL**

- Use the “OPEN” sign to identify the air source that is currently in use.
- Check the pressure in the air source on the pressure gauge.
- Check that the air supply hose is not kinked.
- Prepare switching to the other air source.
- When the warning whistle sounds, open the other air source.

### **5 HANDLING OF THE AIR SUPPLY HOSE**

To avoid the risk of obstructions in the flow, it is important to coil up the air supply hose in such a way that it is not kinked or twisted. It must be coiled in figure-eights or over/underturns (half-hitches). Make sure that it is coiled without tension in the direction of the hose. Interspiro offers a hose reel for easy coiling of the air supply hose.

The air supply hose must be pressurized to at least 50 bar on uncoiling. The first time a hose is used it may twist three or four times when pressurized. Make sure that it is coiled without tension in the direction of the hose. If the hose is coiled without a hose reel, the coiling diameter must be greater than 500 mm. When the hose has been coiled it must be secured with straps to prevent tangling. The hose reel contains suitable straps.

When the hose is unreeled/uncoiled, all twists and kinks must be removed.

If the air supply hose has been subjected to a load of more than 1000 N, which cannot normally be applied by hand, it must be replaced.

## **6 AFTER USE**

1. Coil up the air supply hose as described in Section 5.

### **Users of the breathing apparatus**

- 2A. Close the cylinder valve on the breathing apparatus and take off the facemask as described in the instructions for the breathing apparatus.
- 2B. Disconnect the P+ regulator from the breathing apparatus.
- 2C. Take off the breathing apparatus and vent as described in the instructions for the breathing apparatus.

### **Users of the Spiroline belt**

- 2A. Take off the facemask as described in the instructions for the facemask.
- 2B. Disconnect the P+ regulator from the Spiroline belt.
- 2C. Open the waist belt buckle by pressing it in the middle.
- 2D. Take off the belt.
- 2E. Activate the safety pressure on the facemask to vent.

### **Users of the Distribution panel**

*The unit must be cleaned after every use, as described in Section 7. If cleaning is done directly after use, this must be done before steps 3-6 below.*

1. Check the non-return valve in the distribution panel and the air supply hose: Connect an air source with a pressure of at least 100 bar to one of the adapter hoses and connect the air supply hose to the distribution panel. Disconnect the other adapter hose from the distribution panel (it must not be connected to an air source).
2. Open the air source and check that no air can be heard leaking from the quick connection of the non-connected adapter hose or from the P+ regulator.
3. Close the valves of the air source and vent by connecting the vent handle to the P+ regulator. Open the vent valves on the adapter hoses.

4. Close the vent valves, disconnect the adapter hoses and place them in the distribution panel.
5. Repeat the check above with an air source connected to the other adapter hose.
6. Disconnect the air supply hose. Screw the threaded end of the vent handle into the DP1 coupling of the air supply hose and connect the other end to the P+ regulator.

Check that the locking ring on the quick connection of the P+ regulator is easy to operate and free from dust. Connect and check that the quick connection locks correctly.

Inspect the hose for changes in shape and colour. If you suspect that the hose has been subject to chemical action or overloading, carry out a detailed inspection.

## 7 CLEANING

1. Clean and disinfect the breathing apparatus/facemask as described in the instructions for the breathing apparatus/facemask.
2. Pressurise the air supply hose to at least 65 bar.

---

**NOTE!** MAKE SURE THAT THE AIR SUPPLY HOSE IS PRESSURISED DURING CLEANING, TO PREVENT WATER FROM GETTING IN.

---

3. Clean the air supply hose with a detergent solution consisting of 10 % soap and clean water. Heavily soiled parts can be cleaned with soap paste or liquid soap.
4. Check that there are no leaks in the air supply hose. Leakage is indicated by bubbles appearing when the hose is immersed in water.
5. Dry the parts.
6. Coil up the air supply hose as described in the instructions in Section 5.
7. Vent the air supply hose as described in the instructions in Section 6.

## 8 STORAGE AND TRANSPORT

Store in a dark, dry and dust-free environment. Do not subject to pressures that might cause deformation.

For further storage instructions, see the instructions for the breathing apparatus and the facemask.

---

**NOTE:** IF THE UNIT IS STORED AT TEMPERATURES BELOW FREEZING POINT IT MUST BE THOROUGHLY DRIED BEFORE USE.

---

During transport the product must be well protected inside the original packaging material or equivalent packaging material.

## **9 SERVICE AND MAINTENANCE**

The breathing apparatus and facemask must be serviced and tested as described in the instructions for each unit.

### **ONCE A YEAR:**

Replacement of cylinder connection service parts in Distribution panel and P+ regulator.

### **EVERY EIGHT YEARS:**

Replacement of adapter hoses and air supply hoses.

### **EVERY TEN YEARS:**

Replacement of service parts in Distribution panel and P+ regulator.

# SPIROLINE HP

## Système haute pression

### 1 INSTRUCTIONS DE SÉCURITÉ

Le produit ne doit être utilisé que conjointement avec des composants agréés de Interspiro, conformément aux spécifications de ce manuel. Le produit ne doit être utilisé que par un personnel en bonne santé et ayant reçu une formation pour l'utilisation d'un équipement de protection respiratoire. Si le produit est utilisé par des personnes portant la barbe ou des pattes longues, l'étanchéité risque de ne pas être suffisante. L'appareil doit être entretenu, maintenu et testé conformément aux instructions de ce manuel d'utilisation et aux manuels de maintenance, ainsi qu'aux modes d'emploi de Interspiro.

---

#### INTERSPIRO DÉCLINE TOUTE RESPONSABILITÉ EN CAS DE



- ✦ MAINTENANCE ET RÉPARATIONS QUI ONT ÉTÉ EFFECTUÉES PAR DES PERSONNES N'AYANT PAS DE CERTIFICAT DE MAINTENANCE ÉTABLI PAR INTERSPIRO
  - ✦ COMBINAISONS DE PRODUITS, À MOINS QUE CELLES-CI AIENT ÉTÉ COMMERCIALISÉES PAR INTERSPIRO
  - ✦ MODIFICATIONS OU ADAPTATIONS EFFECTUÉES PAR UN TIERS
- 



Des modifications de ce manuel peuvent avoir lieu sans avis préalable. Toujours vérifier sur le site [www.interspiro.com](http://www.interspiro.com) pour trouver des mises à jour des produits et de la documentation ainsi que pour consulter les messages de maintenance. L'exposition à des conditions extrêmes, peut requérir d'autres mesures que celles qui sont décrites dans ce manuel. La garantie et les conditions de garantie de Interspiro ne sont pas étendues ni influencées par les présentes prescriptions de sécurité.



L'air comprimé contenu dans les bouteilles doit répondre aux exigences définies par la norme EN 12021 et ne pas contenir d'huile, de substance toxique, ni avoir un degré d'humidité trop faible.



Le système Spiroline HP ne doit pas être utilisé sous l'eau. Quand une ligne de vie est requise, un dispositif de levage doit être raccordé à l'appareil.



La durée de fonctionnement d'un appareil respiratoire dépend de la quantité d'air dans la bouteille (ou les bouteilles) et de la consommation d'air, qui varie entre les utilisateurs et avec la contrainte de travail.



Si la température environnante est de 0°C ou inférieure, de la glace à l'extérieur peut avoir pour conséquence le non-fonctionnement du sifflet de mise en garde. Dans de telles conditions, le manomètre de l'appareil doit être relevé plus souvent.



En cas de travail avec un appareil respiratoire et deux bouteilles avec soupapes séparées et indépendantes monté sur le harnais, les deux bouteilles doivent être sous pression avec une même pression de service. Toujours ouvrir les deux vannes de la bouteille quand l'appareil respiratoire est mis sous pression et s'assurer que les deux vannes de bouteille sont ouvertes quand l'appareil est utilisé.



En cas d'utilisation conjointe avec un appareil respiratoire, le manomètre de celui-ci doit être vérifié régulièrement. Aucune mise en garde active n'est émise si de l'air est consommé de la bouteille de l'appareil respiratoire.



En cas d'utilisation avec une ceinture Spiroline, aucune mise en garde active n'est émise en cas d'interruption de l'alimentation en air par l'intermédiaire du flexible d'alimentation en air.

## 2 DESCRIPTION TECHNIQUE

Le système haute pression Spiroline HP se compose des équipements suivants :

- Panneau de distribution (DP1)
- Tuyau d'alimentation en air
- Raccord de ceinture monté à la taille (ceinture Spiroline) avec masque facial ou appareil respiratoire
- Vérin de flexible pour tuyau d'alimentation en air (accessoire)

Le raccord de ceinture monté à la taille avec masque facial ou appareil respiratoire se raccorde à une alimentation en air via DP1, avec le tuyau d'alimentation en air.

### PANNEAU DE DISTRIBUTION (DP1)

DP1 contient un clapet navette automatique, un sifflet d'alarme, un manomètre, des tuyaux d'adaptateur et un raccord pour le tuyau d'alimentation en air et un réservoir d'air. Les raccords des réservoirs en air sont appropriés à 200 et 300 bar.

#### Les accessoires suivants font partie de DP1 :

- Plaquette "OUVERT" - Sert à identifier la réserve d'air en service actuellement.
- Poignée de purge - Utilisée pour purger l'unité
- Mousqueton (2 pcs.) - Sert à accrocher le tuyau d'alimentation en air

Si les deux tuyaux d'adaptateur sont branchés, le clapet navette automatique se branche à la réserve d'air ayant la pression la plus élevée.

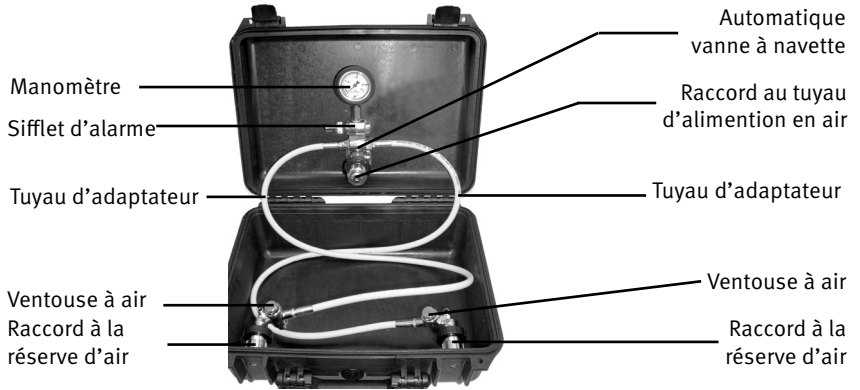
Si la pression d'alimentation descend à 55 bar, on entend le sifflet d'alarme et la réserve d'air doit être remplacée.

Les tuyaux d'adaptateur sont équipés des ventouse à air pour faire baisser la pression.

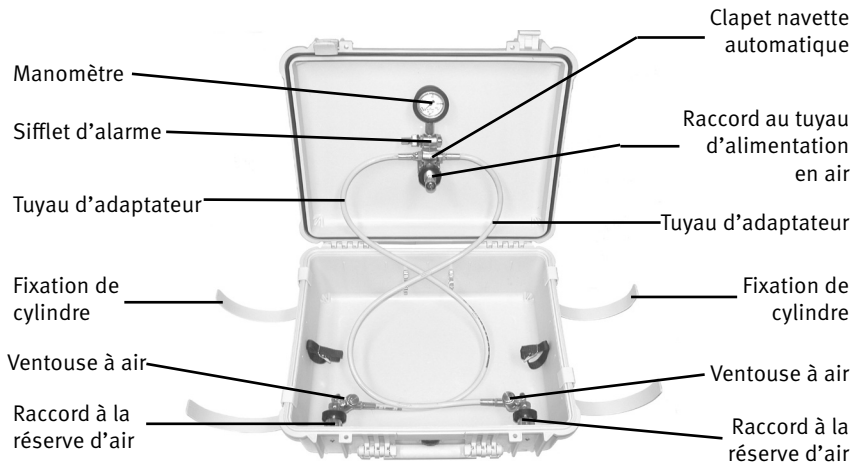
La pression d'air de la source d'air actuellement utilisée peut être lue sur le manomètre.

Des clapets anti-retour empêchent tout flux arrière en cas de chute de pression dans le système.

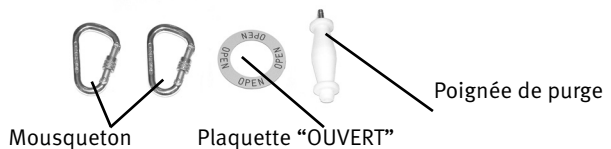
### VERSION 1



### VERSION 2



### ACCESSOIRES



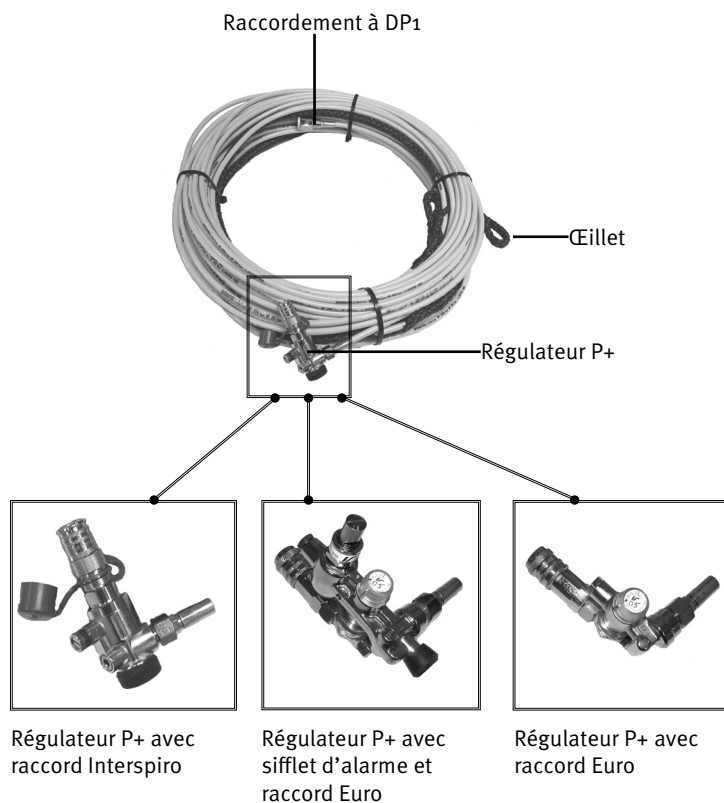
## TUYAU D'ALIMENTATION EN AIR

Le système Spiroline HP peut être utilisé avec un tuyau d'alimentation en air d'une longueur maximale de 120 mètres.

Le tuyau d'alimentation en air est fixé à l'utilisateur par une connexion rapide via un régulateur de pression (régulateur P+) et au panneau de distribution par un raccord qui est serré à main. Les versions avec connexion rapide Interspiro sur le régulateur P+ disposent d'un circlip pour verrouiller la connexion au collecteur de l'appareil respiratoire ou à la ceinture Spiroline.

Aux extrémités du tuyau d'alimentation en air se trouvent des oeillets pour cordes ou raccords pouvant supporter de la traction.

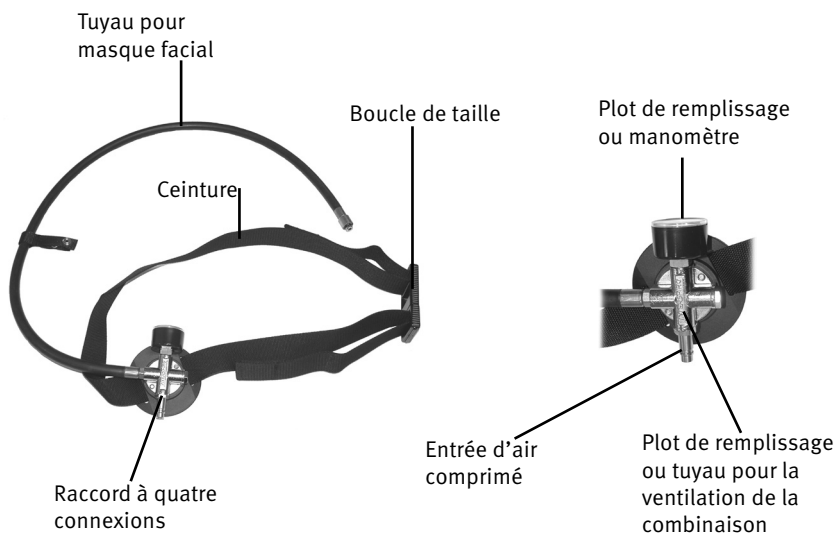
La pression de travail maximale est de 300 bars.





## CEINTURE SPIROLINE

La ceinture Spiroline consiste en un raccord à quatre raccords, monté sur une ceinture à l'aide d'une boucle placée à la taille. Le tuyau du masque facial est monté selon l'image ci-dessous. Un raccord, utilisé comme entrée de l'air comprimé, est branché au régulateur P+. Dans ce raccord un clapet anti-retour empêche la pénétration de gaz toxiques si le tuyau d'alimentation en air se détache. Les deux autres raccords sont équipés des plots de remplissage ou du manomètre optionnel et de le tuyau de ventilation de combinaison optionnel, voir l'image ci-dessous.



### **3 PRÉPARATION AVANT UTILISATION**

#### **PRÉPARATION DES UTILISATEURS DU PANNEAU DE DISTRIBUTION**

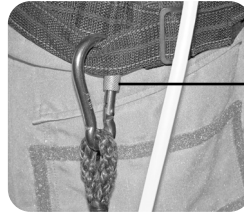
1. Ouvrez le panneau de distribution et placez-le à un endroit où le manomètre est facile à lire.
2. Contrôlez que le tuyau d'alimentation en air est correctement enroulé, voir les instructions du chapitre 5.
3. Raccordez le tuyau d'alimentation en air au panneau de distribution à l'aide du raccord qui doit être serré à main.
4. Accrochez le tuyau d'alimentation en air avec l'œillet à un objet fixe. C'est une bonne idée d'utiliser un mousqueton à cette fin. Le tuyau d'alimentation en air doit être fixé de manière à ce que les raccords d'extrémité et les raccords ne soit ni pliés ni chargés, quel que soit le sens de la charge.
5. Accrochez un tuyau d'adaptateur à une source d'air avec une pression suffisante.
6. Accrochez le deuxième tuyau d'adaptateur à une source d'air avec une pression suffisante.
7. Fermer les plots de remplissage des tuyaux d'adaptateur.
8. Ouvrez la valve de l'une des sources d'air et placez la plaquette "OUVERT" sur cette source d'air. Contrôlez que le sifflet d'alarme se retentit et s'arrête dès que la pression dépasse 60 bar.
9. Contrôlez que la pression d'air de la source d'air est suffisante en lisant le manomètre.

*Lorsque l'utilisateur de l'appareil respiratoire ou de la ceinture spiroline a terminé ses préparations (voir ci-dessous), procédez comme suit:*

10. Contrôlez que le raccord rapide du régulateur P+ est correctement raccordé à la ceinture Spiroline ou à l'appareil respiratoire.
11. Contrôlez que l'œillet du tuyau d'alimentation en air est correctement raccordé à l'utilisateur.
12. Lors de l'utilisation de Spiroline HP avec un appareil respiratoire, vous devez contrôler que la vanne de la bouteille de l'appareil respiratoire est complètement ouverte.

## PRÉPARATIONS POUR LES UTILISATEURS D'UN APPAREIL RESPIRATOIRE

1. Préparez et mettez l'appareil selon les instructions de l'appareil respiratoire.
2. Insérez l'un des mousquetons dans l'oeillet du tuyau d'alimentation en air. Attachez l'oeillet à la ceinture de l'appareil respiratoire selon l'image. Fixez l'oeillet en serrant le circlip. Le tuyau d'alimentation en air doit être fixé de manière à ce que les raccords d'extrémité et les raccords ne soient ni pliés ni chargés, quel que soit le sens de la charge.



le circlip

3. Contrôlez que le tuyau d'alimentation en air est sous pression. Raccordez le raccord rapide du régulateur P+ à l'appareil respiratoire. Pour des versions avec raccord rapide Interspiro, verrouillez-le avec le circlip.
4. Ouvrez la vanne de la bouteille de l'appareil respiratoire.

---

**REMARQUE!** LA VANNE DE LA BOUTEILLE DE L'APPAREIL RESPIRATOIRE DOIT ÊTRE OUVERTE LORS DE L'UTILISATION. LE RÉGULATEUR P+ A UNE PRESSION SECONDAIRE SUPÉRIEURE À LA PRESSION D'ALIMENTATION EN AIR NORMALE PROVENANT DE L'APPAREIL RESPIRATOIRE. CECI ENTRAÎNE QUE L'ALIMENTATION EN AIR DE L'APPAREIL RESPIRATOIRE EST FERMÉE EN UTILISATION NORMALE.



SAUF SI LE RÉGULATEUR P+ EST ÉQUIPÉ D'UN SIFFLET D'ALARME IL N'Y A AUCUN AVERTISSEMENT ACTIF DONNÉ À L'UTILISATEUR QUAND L'AIR EST PRÉLEVÉ DE LA RÉSERVE EN AIR DE L'APPAREIL RESPIRATOIRE/LE QS BAIL-OUT SET. PAR CONSÉQUENT LE MANOMÈTRE DE L'APPAREIL RESPIRATOIRE/ LE QS BAIL-OUT SET DOIT ÊTRE CONTRÔLÉ RÉGULIÈREMENT.

---

## PRÉPARATIONS POUR LES UTILISATEURS DE LA CEINTURE SPIROLINE

1. Défaire la boucle et la ceinture.
2. Mettez la ceinture et refermez la boucle.
3. Saisissez les sangles et ajustez la ceinture en les tirant jusqu'à ce que la ceinture soit confortable.
4. Raccordez le tuyau respiratoire de la ceinture Spiroline à la vanne de respiratoire.
5. Préparez et mettez le masque facial selon les instructions du masque facial.
6. En utilisant l'un des mousquetons, fixez l'oeillet sur le tuyau d'alimentation en air de manière appropriée. Le tuyau d'alimentation en air doit être fixé de manière à ce que les raccords d'extrémité et les raccords ne soient ni pliés ni chargés, quel que soit le sens de la charge.
7. Contrôlez que le tuyau d'alimentation en air est sous pression. Connectez le raccord rapide du régulateur P+ à la ceinture Spiroline. Pour des versions avec raccord Interspiro, verrouillez-le à l'aide du circlip.

## **4 EN COURS D'UTILISATION - INSTRUCTIONS DE MANIEMENT DU PANNEAU DE DISTRIBUTION**

- Utilisez la plaquette "OUVERT" pour identifier la source d'air actuellement utilisée.
- Contrôlez la pression de la source d'air au manomètre.
- Contrôlez que le tuyau d'alimentation en air n'est pas plié.
- Préparez le change à l'autre source d'air.
- Lorsque le sifflet d'alarme retentit, ouvrez la deuxième source d'air.

## **5 MANIEMENT DU TUYAU D'ALIMENTATION EN AIR**

Pour éviter tout risque d'obstruction dans le flux, il est important d'enrouler le tuyau d'alimentation en air de manière à ce qu'il ne soit pas plié ni tordu. Il doit être enroulé en nœud en huit ou en enroulements (nœud demi-clé). Assurez-vous qu'il est enroulé sans tension dans le sens du tuyau. Interspiro propose un enrouleur de tuyau facilitant l'enroulement du tuyau d'alimentation en air.

Le tuyau d'alimentation en air doit être mis sous pression à un minimum de 50 bar lors de l'enroulement. La première fois qu'un tuyau est utilisé, il peut se tordre trois ou quatre tours lors qu'il est mis sous pression. Assurez-vous qu'il est enroulé sans tension dans le sens du tuyau. Si le tuyau est enroulé sans enrouleur, le diamètre d'enroulement doit être supérieur à 500 mm. Lorsque le tuyau est enroulé, il faut le fixer avec des sangles pour éviter qu'il ne s'emmêle. L'enrouleur de tuyau contient des sangles appropriées.

Lors que le tuyau est déroulé, tous les enroulements et emmêlements doivent être supprimés.

Si le tuyau d'alimentation en air est soumis à une charge supérieure à 1000 N, ce qui en principe ne peut pas être fait à main, il doit être remplacé.

## **6 APRÈS UTILISATION**

1. Enroulez le tuyau d'alimentation en air selon les instructions de la section 5.

### **Utilisateurs de l'appareil respiratoire**

- 2A. Fermez la vanne de la bouteille de l'appareil respiratoire et retirez le masque facial selon les instructions de l'appareil respiratoire.
- 2B. Déconnectez le régulateur P+ de l'appareil respiratoire.
- 2C. Retirez l'appareil respiratoire et purgez-le selon les instructions de l'appareil respiratoire.

## Utilisateurs de la ceinture Spiroline

- 2A. Enlevez le masque facial selon les instructions du masque facial.
- 2B. Déconnectez le régulateur P+ de la ceinture Spiroline.
- 2C. Ouvrez la boucle de ceinture en appuyant en son milieu.
- 2D. Enlevez la ceinture.
- 2E. Activez la pression de sécurité du masque facial pour effectuer la purge.

## Utilisateurs du panneau de distribution

*L'unité doit être nettoyée après chaque utilisation selon les instructions de la section 7. Si le nettoyage est effectué immédiatement après l'utilisation, procédez selon les points 3-6 ci-dessous.*

1. Vérifiez le clapet anti-retour du panneau de distribution et du tuyau d'alimentation en air: Connectez une source d'air d'une pression minimale de 100 bar à un des tuyaux d'adaptateur et raccordez le tuyau d'alimentation en air au panneau de distribution. Débranchez l'autre tuyau d'adaptateur du panneau de distribution (il ne doit pas être branché à une source d'air).
2. Ouvrez la source d'air et vérifiez qu'aucune fuite ne se fait entendre du raccord rapide du tuyau d'adaptateur non raccordé ou du régulateur P+.
3. Fermez les vannes de la source d'air et purgez en raccordant la poignée de purge au régulateur P+. Ouvrez les plots de remplissage des tuyaux d'adaptateur.
4. Fermez les plots de remplissage, débranchez les tuyaux d'adaptateur, puis placez-les dans le panneau de distribution.
5. Répétez le contrôle selon les instructions ci-dessus, avec une réserve d'air raccordée au deuxième tuyau d'adaptateur.
6. Débranchez le tuyau d'alimentation en air. Vissez l'extrémité fileté de la poignée de purge sur le raccord DP1 du tuyau d'alimentation en air et raccordez la deuxième extrémité au régulateur P+.

Vérifiez que le circlip du raccord rapide du régulateur P+ est facile à manœuvrer et exempte de poussières. Raccordez et vérifiez que le raccord rapide se verrouille correctement.

Inspectez le tuyau pour tout changement de forme et de couleur. En cas de soupçon d'incidence chimique ou de surcharge, une inspection détaillée doit être effectuée.

## 7 NETTOYAGE

1. Nettoyez et désinfectez l'appareil respiratoire/le masque facial selon les instructions de l'appareil respiratoire/du masque facial.
2. Soumettez le tuyau d'alimentation en air à une pression minimale de 65 bar.

---

**REMARQUE!** VEILLEZ À CE QUE LE TUYAU D'ALIMENTATION EN AIR SOIT SOUS PRESSION PENDANT LE NETTOYAGE, AFIN D'EMPÊCHER QUE DE L'EAU NE PÉNÈTRE.

---

3. Nettoyez le tuyau d'alimentation en air en utilisant un produit de nettoyage composé d'eau pure et de 10 % de savon. Les parties fortement polluées peuvent être nettoyées avec de la pâte savonneuse ou du savon liquide.
4. Vérifiez l'absence de fuite sur le tuyau d'alimentation en air. Une fuite est indiquée par la formation de bulles dès l'immersion du tuyau dans l'eau.
5. Séchez les pièces.
6. Enroulez le tuyau d'alimentation en air selon les instructions de la section 5.
7. Purgez le tuyau d'alimentation en air selon les instructions de la section 6.

## **8 STOCKAGE ET TRANSPORT**

À conserver dans un environnement sombre, sec et exempt de poussières. Ne pas exposer à une pression pouvant provoquer la déformation.

Voir les instructions de l'appareil respiratoire et du masque facial pour toutes instructions de stockage supplémentaires.

---

**REMARQUE!** SI L'UNITÉ EST REMISÉE À DES TEMPÉRATURES INFÉRIEURES AU POINT DE GEL, ELLE DOIT ÊTRE SÉCHÉE COMPLÈTEMENT AVANT L'UTILISATION.

---

Pendant le transport, le produit doit être bien protégé avec le matériau d'emballage d'origine ou d'un matériau d'emballage équivalent.

## **9 ENTRETIEN ET MAINTENANCE**

L'appareil respiratoire et le masque facial doivent être entretenus et testés selon les instructions de chaque unité respective.

### **UNE FOIS PAR AN:**

Remplacement des pièces de rechange des connexions de bouteille du panneau de distribution et du régulateur P +.

### **TOUS LES HUIT ANS:**

Remplacement des tuyaux adaptateurs et des tuyaux d'alimentation en air.

### **TOUS LES DIX ANS:**

Remplacement des pièces de rechange du panneau de distribution et du régulateur P +.

# SPIROLINE HP

## Hochdrucksystem

### 1 SICHERHEITSANWEISUNG

Das Produkt darf nur zusammen mit zugelassenen Komponenten von Interspiro und in Übereinstimmung mit den Vorgaben dieses Handbuches verwendet werden. Das Produkt darf nur von Mitarbeitern mit gutem Gesundheitszustand verwendet werden, die im Einsatz der Atemschutzausrüstung geschult worden sind. Wenn das Produkt von Personen mit Bart oder langen Koteletten verwendet wird, besteht die Gefahr, dass die Abdichtung nicht korrekt ist. Das Gerät ist gemäß den Anweisungen dieses Handbuchs und der Serviceanleitungen und Bedienungsanweisungen von Interspiro zu warten, zu pflegen und zu testen.

---

#### INTERSPIRO HAFTET NICHT FÜR

- ❖ WARTUNGS- UND REPARATURARBEITEN, DIE VON PERSONEN AUSGEFÜHRT WURDEN, DIE NICHT ÜBER EIN VON INTERSPIRO AUSGESTELLTES SERVICEZERTIFIKAT VERFÜGEN
  - ❖ PRODUKTKOMBINATIONEN, SOFERN DIESE NICHT VON INTERSPIRO VERMARKETET WURDEN
  - ❖ ÄNDERUNGEN ODER ANPASSUNGEN DER PRODUKTE, DIE VON DRITTEN VORGENOMMEN WORDEN SIND.
- 



Änderungen dieses Handbuches können ohne vorherige Ankündigung vorgenommen werden. Unter [www.interspiro.com](http://www.interspiro.com) werden Produktsortiment, Dokumentation und Servicemitteilungen ständig aktualisiert. In extremen Bedingungen, können andere als die in diesem Handbuch beschriebenen Maßnahmen erforderlich werden. Die Haftungs- und Garantiebedingungen von Interspiro werden durch diese Sicherheitsvorschriften weder erweitert noch beeinträchtigt.



Die Atemluft in den Flaschen muss die Anforderungen der EN 12021 erfüllen; sie darf kein Öl, keine toxischen Substanzen enthalten und nur geringe Feuchtigkeit aufweisen.



Das Spiroline-HD-System darf nicht unter Wasser eingesetzt werden. Wird eine Rettungsleine benötigt, muss ein Auffanggurt mit dem Gerät verbunden werden.



Der Aktionszeitraum eines Atemschutzgeräts hängt von der Luftmenge in der Flasche und vom Luftverbrauch ab, der vom Benutzer abhängig variiert und von der Arbeitsbelastung beeinflusst wird.



Wenn die Umgebungstemperatur 0°C oder weniger beträgt, kann Eis auf der Außenseite dazu führen, dass das Warnsignal nicht funktioniert. Unter diesen Bedingungen ist das Manometer des Gerätes häufiger abzulesen.



Bei Arbeiten mit einem Atemschutzgerät mit zwei Flaschen mit separaten, voneinander unabhängigen Flaschenventilen an der Trageeinheit, muss der Betriebsdruck beider Flaschen gleich sein. Öffnen Sie immer beide Flaschenventile, wenn das Atemschutzgerät unter Druck gesetzt wird. Stellen Sie sicher, dass beide Flaschenventile bei der Benutzung des Gerätes offen sind.





Beim Einsatz des Spiroline HD zusammen mit einem Atemschutzgerät ist dessen Manometer regelmäßig zu prüfen. Es erfolgt keine aktive Warnung, wenn die Luft aus der Flasche des Atemschutzgeräts verbraucht wird.



Beim Einsatz mit einem Spiroline-Gürtel erfolgt keine aktive Warnung, wenn die Luftversorgung über den Luftversorgungsschlauch unterbrochen wird.

## 2 TECHNISCHE BESCHREIBUNG

Das Spiroline-HD-Hochdrucksystem besteht aus:

- Versorgungseinheit (DP1)
- Luftversorgungsschlauch
- Gürtelanschluss (Spiroline-Gurt) an der Taille mit Vollmaske oder Atemschutzgerät
- Schlauchwinde für den Luftversorgungsschlauch (Zubehör)

Der in der Taille angebrachte Gürtelanschluss mit Vollmaske oder Atemschutzgerät wird über die DP1 mit dem Versorgungsschlauch an eine Luftquelle angeschlossen.

### VERSORGUNGSEINHEIT (DP1)

DP1 umfasst ein automatisches Pendelventil, einer Warnpfeife, einem Manometer, Adapterschläuchen und einem Anschluss an den Luftversorgungsschlauch und die Luftquelle. Die Anschlüsse an die Luftquelle sind für 200 und 300 Bar geeignet.

Folgende Teile sind im Lieferumfang der DP1 enthalten:

- Schild "OFFEN" - Zur Angabe, welche Luftquelle derzeit verwendet wird.
- Entlüftungsriff - Zur Entlüftung der Einheit
- Karabinerhaken (2 Stück) - Zur Verankerung des Luftversorgungsschlauches

Wenn beide Adapterschläuche angeschlossen sind, verbindet sich das automatische Pendelventil automatisch mit der Luftquelle, die den höchsten Druck aufweist.

Fällt der Versorgungsdruck auf 55 Bar ab, ertönt das Warnsignal als Hinweis darauf, dass die Luftquelle ausgetauscht werden muss.

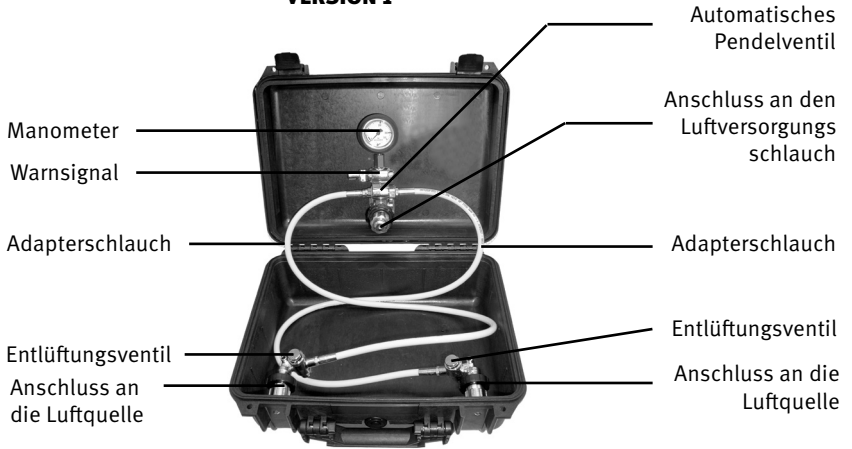
Die Adapterschläuche sind mit Entlüftungsventilen zur Senkung des Drucks ausgestattet.

Der Druck in der gegenwärtig verwendeten Luftquelle kann am Manometer abgelesen werden.

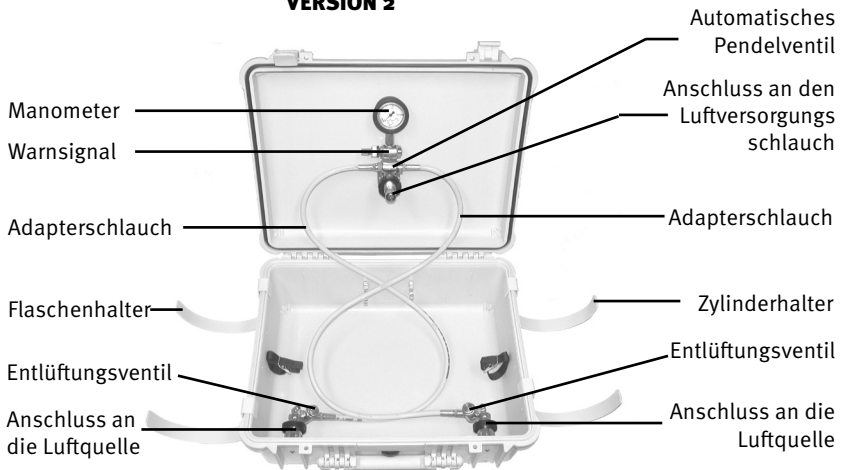
Rückschlagventile verhindern bei einem Druckabfall den Rückfluss im System.



### VERSION 1



### VERSION 2



### ZUBEHÖR

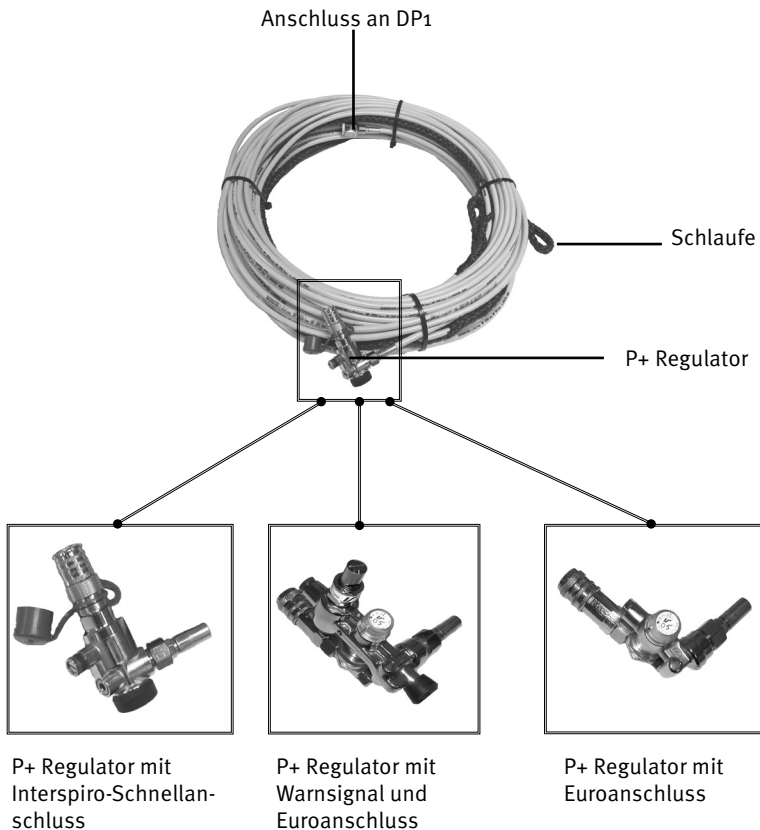


## LUFTVERSORGUNGSSCHLAUCH

Das Spiroline-HD-System kann mit einem Luftversorgungsschlauch von einer maximalen Länge von 120 m verwendet werden.

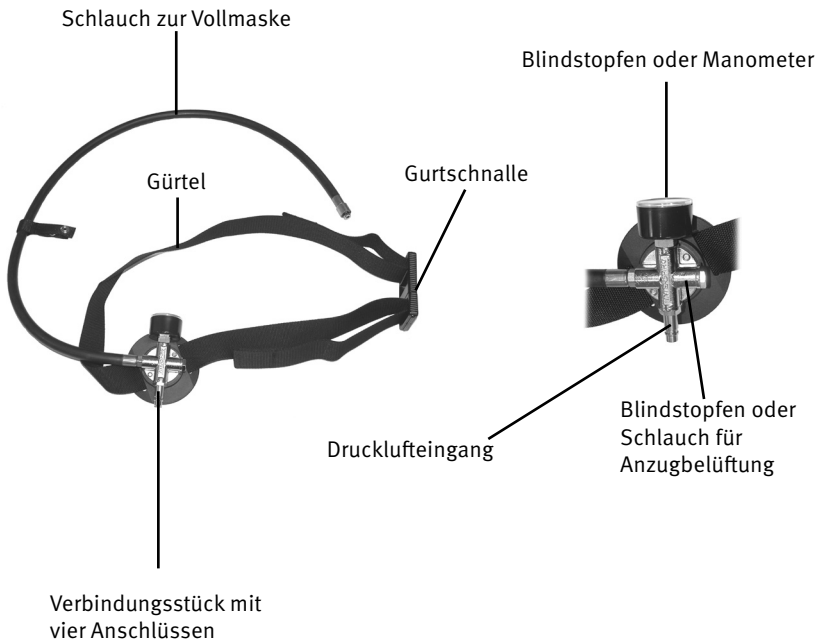
Der Luftversorgungsschlauch wird mit einem Schnellanschluss über einen Druckminderer (P+ Regulator) mit dem Benutzer und über einen von Hand angezogenen Anschluss mit der Schalteinheit verbunden. Versionen mit Interspiro Schnellanschluss am P+ Regulator haben einen Sicherungsring zur Verriegelung des Anschlusses am Verbindungsstück des Atemschutzgerätes oder des Spiroline-Gürtels. An den Enden des Luftversorgungsschlauchs befinden sich Schlaufen für Seile oder Anschlüsse, mit denen Zugspannungen abgefangen werden können.

Der maximale Betriebsdruck beträgt 300 Bar.



## SPIROLINE-GÜRTEL

Der Spiroline-Gürtel besteht aus einem Verbindungsstück mit vier Anschlüssen, das an einem Gürtel mit einer Schnalle angebracht ist. Der Schlauch für die Vollmaske wird entsprechend der nachstehenden Abbildung angeschlossen. Ein Anschluss dient als Drucklufteingang. Er ist an den P+ Regulator angeschlossen. An diesem Anschluss befindet sich ein Rückschlagventil, das verhindert, dass giftige Gase eindringen, wenn der Luftversorgungsschlauch gelöst wird. Die beiden anderen Anschlüsse sind mit Blindstopfen versehen. An sie können die Sonderzubehöriteile Manometer oder Anzugsbelüftungsschlauch angeschlossen werden, siehe nachstehende Abbildung.



### **3 VORBEREITUNGEN VOR DEM EINSATZ**

#### **VORBEREITUNGEN FÜR DEN BENUTZER MIT VERSORGUNGSEINHEIT**

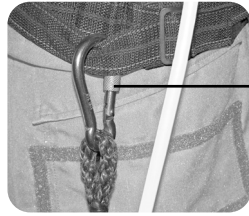
1. Öffnen Sie den Kasten der Versorgungseinheit und positionieren Sie ihn an einer Stelle, an der das Manometer leicht abzulesen ist.
2. Überprüfen Sie, ob der Luftversorgungsschlauch korrekt aufgewickelt ist, siehe Anweisungen im Abschnitt 5.
3. Schließen Sie den Luftversorgungsschlauch mit der Kupplung an die Versorgungseinheit an und ziehen Sie die Kupplung von Hand fest.
4. Befestigen Sie den Luftversorgungsschlauch mit der Schlaufe an einem festen Gegenstand, am besten für diesen Zweck einen Karabinerhaken verwenden. Der Luftversorgungsschlauch muss so befestigt werden, dass die Endanschlüsse und die Nippel unabhängig von der Belastungsrichtung weder verbogen noch belastet werden.
5. Schließen Sie einen Adapterschlauch an eine Luftquelle mit ausreichendem Druck an.
6. Schließen Sie den anderen Adapterschlauch an eine Luftquelle mit ausreichendem Druck an.
7. Schließen Sie die Entlüftungsventile an die Adapterschläuche an.
8. Öffnen Sie das Ventil einer Luftquelle und plazieren Sie das Schild "OFFEN" an dieser Luftquelle. Vergewissern Sie sich, ob das Warnsignal ertönt und sich abschaltet, sobald der Druck auf über 60 Bar ansteigt.
9. Lesen Sie am Manometer ab, ob der Druck in der Luftquelle ausreichend ist.

*Nachdem der Benutzer des Atemschutzgeräts oder der Spiroline-Gürtels seine Vorbereitungen abgeschlossen hat (siehe unten), gehen Sie wie folgt vor:*

10. Überprüfen Sie, ob der Schnellanschluss des P+ Regulators sicher am Spiroline-Gürtel oder am Atemschutzgerät angeschlossen ist.
11. Überprüfen Sie, ob die Schlaufe des Luftversorgungsschlauchs sicher am Benutzer angeschlossen ist.
12. Bei gemeinsamer Nutzung der Spiroline HD mit einem Atemschutzgerät, müssen Sie sicherstellen, dass das Flaschenventil am Atemschutzgerät vollständig geöffnet ist.

#### **VORBEREITUNGEN FÜR DEN BENUTZER MIT ATEMSCHUTZGERÄT**

1. Das Gerät gemäß den Anweisungen für das Atemschutzgerät vorbereiten und anschließen.
2. Befestigen Sie einen der Karabinerhaken an der Öse am Luftversorgungsschlauch. Befestigen Sie die Öse wie abgebildet am Hüftgurt des Atemschutzgeräts. Sichern Sie die Öse, indem Sie den Sicherungsring festziehen. Der Luftversorgungsschlauch muss so befestigt werden, dass die Endanschlüsse und Nippel unabhängig von der Belastungsrichtung weder verbogen noch belastet werden.



Sicherungsring

3. Überprüfen Sie, ob der Luftversorgungsschlauch unter Druck steht. Verbinden Sie den Schnellanschluss des P+ Regulators mit dem Atemschutzgerät. Bei Ausführungen mit Interspiro-Schnellanschluss, diesen mit dem Sicherungsring verriegeln.
4. Das Flaschenventil am Atemschutzgerät öffnen.

---

**HINWEIS!** DAS FLASCHENVENTIL DES ATEMSCHUTZGERÄTS MUSS WÄHREND DER BENUTZUNG GEÖFFNET SEIN. DER P+ REGULATORS HAT EINEN HÖHEREN HINTERDRUCK ALS DIE NORMALE LUFTVERSORGUNG DES ATEMSCHUTZGERÄTS. INFOLGEDESSEN WIRD DIE LUFTVERSORGUNG DES ATEMSCHUTZGERÄTS IM NORMALEM GEBRAUCH GESCHLOSSEN.



SO FERN DER P+ REGULATORS NICHT MIT EINEM WARNSIGNAL AUSGESTATTET IST ERFOLGT KEINE AKTIVE WARNUNG AN DEN BENUTZER, WENN LUFT AUS DER LUFTQUELLE DES ATEMSCHUTZGERÄTS/QS BAIL-OUT SYSTEMS ENTNOMMEN WIRD.

DAHER MUSS DAS MANOMETER AM ATEMSCHUTZGERÄT REGELMÄSSIG GEPRÜFT WERDEN.

---

## **VORBEREITUNGEN FÜR DEN BENUTZER DES SPIROLINE-GÜRTELS**

1. Lösen Sie die Schnalle und den Gürtel.
2. Legen sie den Gürtel an und schließen die Schnalle.
3. Ziehen Sie die Gurte an und passen Sie den Gurt an bis dieser bequem sitzt.
4. Schließen den Atemschlauch vom Spiroline-Gürtel an den Lungenautomaten an.
5. Bereiten Sie die Vollmaske vor und legen Sie diese gemäß den Anweisungen für die Vollmaske an.
6. Befestigen Sie die Schlaufe mit einem Karabinerhaken in angemessener Weise am Luftversorgungsschlauch. Der Luftversorgungsschlauch muss so angebracht werden, dass die Endanschlüsse und Nippel unabhängig von der Belastungsrichtung weder verbogen noch belastet werden.
7. Überprüfen, ob der Luftversorgungsschlauch unter Druck steht. Verbinden Sie den Schnellanschluss des P+ Regulators am Spiroline-Gürtel. Bei Ausführungen mit Interspiro- Schnellanschluss mit dem Sicherungsring verriegeln.

## **4 WÄHREND DES GEBRAUCHS - ANWEISUNGEN FÜR DEN UMGANG MIT DER VERSORGUNGSEINHEIT**

- Verwenden Sie das Schild "OFFEN", um die aktuell verwendete Luftquelle zu kennzeichnen.
- Überprüfen Sie den Druck der Luftquelle am Manometer.
- Stellen Sie sicher, dass der Luftversorgungsschlauch nicht geknickt ist.
- Verbreiten Sie die Umschaltung auf die andere Luftquelle.
- Wenn das Warnsignal ertönt, öffnen Sie die andere Luftquelle.

## **5 HANDHABUNG DES LUFTVERSORGUNGSSCHLAUCHES**

Um die Gefahr von Störungen im Luftfluss zu vermeiden, ist es wichtig den Luftversorgungsschlauch so aufzuwickeln, dass er nicht geknickt oder verdreht wird. Er muss in Doppelkreisen (wie eine Acht) oder in Schlingen oben und unten im Wechsel aufgewickelt werden. Stellen Sie sicher, dass er ohne Zugspannungen in Schlauchrichtung aufgewickelt wird. Interspiro bietet eine Schlauchwinde an, die das Aufwickeln des Luftversorgungsschlauches erleichtert.

Der Luftversorgungsschlauch muss beim Abwickeln mit mindestens 50 Bar beaufschlagt werden. Wenn ein Schlauch zum ersten Mal benutzt wird, kann er sich, wenn er unter Druck gesetzt wird, um drei oder viermal verdrehen. Stellen Sie sicher, dass er ohne Zugspannungen in Schlauchrichtung aufgewickelt wird. Wird der Schlauch ohne Schlauchwinde aufgewickelt, muss der Aufwickeldurchmesser größer als 500 mm sein. Ist der Schlauch aufgewickelt, muss er so mit Riemen gesichert werden, dass er sich nicht verwickeln kann. Die Schlauchwinde enthält geeignete Riemen.

Wenn der Schlauch abgewickelt ist, müssen alle Verdrehungen und Knicke entfernt werden.

Wenn der Luftversorgungsschlauch mit mehr als 1.000 N belastet wird, was normalerweise von Hand nicht möglich ist, muss er ausgetauscht werden.

## **6 NACH DEM GEBRAUCH**

1. Den Luftversorgungsschlauch gemäß den Anweisungen in Abschnitt 5 aufwickeln.

### **Benutzer des Atemschutzgeräts**

- 2A. Das Flaschenventil des Atemschutzgeräts schließen und nehmen Sie die Vollmaske, wie in der Anleitung des Atemschutzgeräts beschrieben, ab.
- 2B. Trennen Sie den P+ Regulator vom Atemschutzgerät.
- 2C. Nehmen Sie das Atemschutzgerät ab und entlüften Sie es, wie in der Anleitung des Atemschutzgeräts beschrieben.

## **Benutzer des Spiroline-Gürtels**

- 2A.** Nehmen Sie die Vollmaske gemäß der Anleitung der Vollmaske ab.
- 2B.** Trennen Sie den P+ Regulator vom Spiroline-Gürtel.
- 2C.** Öffnen Sie die Schnalle des Hüftgurtes durch Drücken auf die Mitte.
- 2D.** Nehmen Sie den Gürtel ab.
- 2E.** Aktivieren Sie zum Entlüften den Sicherheitsdruck der Vollmaske.

## **Benutzer der Versorgungseinheit**

*Die Einheit muss nach jedem Gebrauch gemäß den Anweisungen in Abschnitt 7 gereinigt werden. Wenn die Reinigung direkt nach dem Gebrauch erfolgt, muss dies vor den nachstehenden Punkten 3 bis 6 durchgeführt werden.*

- 1.** Überprüfen Sie das Rückschlagventils in der Versorgungseinheit und den Luftversorgungsschlauch: Schließen Sie eine Luftquelle mit einem Druck von mindestens 100 Bar an den einen der Adapterschläuche und den Luftversorgungsschlauch an die Versorgungseinheit an. Trennen Sie den anderen Adapterschlauch von der Versorgungseinheit (er darf nicht an eine Luftquelle angeschlossen werden).
- 2.** Öffnen Sie die Luftquelle und stellen Sie sicher, dass aus dem nicht angeschlossenen Adapterschlauch oder dem Schnellanschluss des P+ Regulators keine Undichtigkeit zu hören ist.
- 3.** Schließen Sie die Ventile der Luftquelle und entlüften Sie durch Anschließen des Entlüftungsriffs an den P+ Regulator. Öffnen Sie die Entlüftungsventile der Adapterschläuche.
- 4.** Schließen Sie die Entlüftungsventile, trennen Sie die Adapterschläuche und plazieren Sie diese im Kasten der Versorgungseinheit.
- 5.** Wiederholen Sie die obige Kontrolle mit einer an den anderen Adapterschlauch angeschlossenen Luftquelle.
- 6.** Trennen Sie den Luftversorgungsschlauch. Schrauben Sie das mit einem Gewinde versehene Ende des Entlüftungsriffs in den DP1-Anschluss des Luftversorgungsschlauchs und schließen Sie das andere Ende an den P+ Regulator an.

Prüfen Sie, ob der Sicherungsring am Schnellanschluss des P+ Regulators sich leicht betätigen lässt und frei von Staub ist. Schließen den Schnellanschluss an und überprüfen Sie, dass dieser korrekt einrastet.

Überprüfen Sie den Schlauch auf Veränderungen in Form und Farbe. Wenn der Verdacht besteht, dass ein chemischer Einfluss oder eine Überlastung vorliegt, ist eine ausführliche Inspektion vorzunehmen.

## 7 REINIGUNG

1. Reinigen und desinfizieren Sie das Atemschutzgerät/die Vollmaske wie in der Anleitung des Atemschutzgeräts/der Vollmaske beschrieben.
2. Den Luftversorgungsschlauch mit mindestens 65 Bar unter Druck setzen.

---

**HINWEIS!** STELLEN SIE SICHER, DASS DER LUFTVERSORGUNGSSCHLAUCH BEI DER REINIGUNG UNTER DRUCK STEHT, DAMIT KEIN WASSER EINDRINGEN KANN.

---

3. Reinigen Sie den Luftversorgungsschlauch mit einer Reinigungslösung aus 10% Schmierseife und sauberem Wasser. Stark verschmutzte Teile können mit Waschpaste oder Flüssigseife gereinigt werden.
4. Überprüfen Sie, ob der Luftversorgungsschlauch undicht ist. Leckagen sind an Luftblasen zu erkennen, die auftreten, wenn man den Schlauch unter Wasser hält.
5. Trocknen Sie die Teile.
6. Wickeln Sie den Luftversorgungsschlauch gemäß den Anweisungen in Abschnitt 5 auf.
7. Entlüften Sie den Luftversorgungsschlauch gemäß den Anweisungen in Abschnitt 6 entlüften.

## 8 LAGERUNG UND TRANSPORT

Die Lagerung sollte in einem dunklen, trockenen und staubfreien Umfeld erfolgen. Der Schlauch darf keinem deformierenden Druck ausgesetzt werden.

Weitere Verwahrungshinweise siehe Anweisungen für Atemschutzgerät und der Vollmaske.

---

**HINWEIS!** WENN DAS GERÄT BEI TEMPERATUREN UNTER DEM GEFRIERPUNKT VERWAHRT WIRD, MUSS ES VOR DER VERWENDUNG SORGFÄLTIG GETROCKNET WERDEN.

---

Während des Transports muss das Produkt in der Originalverpackung oder einer gleichwertigen Verpackung gut geschützt sein.

## 9 SERVICE UND WARTUNG

Das Atemschutzgerät und die Vollmaske sind gemäß den Anweisungen des jeweiligen Gerätes zu warten und zu testen.

### **EINMAL PRO JAHR:**

Austausch der Ersatzteile des Flaschenanschlusses der Versorgungseinheit und des P + -Regulators.

### **NACH JEWEILS ACHT JAHREN:**

Austausch von Adapterschläuchen und Luftversorgungsschläuchen.

### **NACH JEWEILS ZEHN JAHREN:**

Austausch der Ersatzteile der Versorgungseinheit und des P + -Regulators.



# SPIROLINE HP

## Högtryckssystem

### 1 SÄKERHETSANVISNING

Produkten får endast användas tillsammans med godkända komponenter från Interspiro i enlighet med specifikationerna i denna manual. Produkten får endast användas av personal med god hälsa som har fått utbildning i användningen av andningssskyddsutrustning. Om produkten används av personer med skägg eller långa polisonger föreligger en risk för otillräcklig tätning. Apparaten måste ges underhåll, service och testas enligt anvisningarna i denna handhavandemanual samt servicemanualer och bruksanvisningar från Interspiro.

---

#### INTERSPIRO ANSVARAR INTE FÖR



- ✦ UNDERHÅLL OCH REPARATIONER SOM UTFÖRTS AV PERSONER SOM INTE INNEHAR ETT SERVICE-CERTIFIKAT UTFÄRDAT AV INTERSPIRO
  - ✦ PRODUKTKOMBINATIONER, SÅVIDA DESSA INTE HAR MARKNADSFÖRTS AV INTERSPIRO
  - ✦ ÄNDRINGAR ELLER ANPASSNINGAR AV PRODUKTER SOM GJORTS AV TREDJE PART
- 



Ändringar i denna manual kan komma att ske utan föregående avisering. Kontrollera alltid [www.interspiro.com](http://www.interspiro.com) för uppdateringar av produkter och dokumentation samt servicemeddelanden. Exponering för extrema förhållanden, kan kräva andra åtgärder än de som beskrivs i denna manual. Interspiros ansvar och garantivillkor är ej utökade eller påverkade av dessa säkerhetsföreskrifter.



Andningsluften som flaskorna fylls med måste uppfylla villkoren enligt EN 12021, dvs. vara fri från olja och giftiga ämnen samt ha en låg fuktighet.



Spiroline HP-systemet skall inte användas under vatten. När livlina krävs skall ett lyftställ kopplas till apparaten.



Aktionstiden på en andningsapparat beror på mängden luft i luftförråden och luftförbrukningen, som varierar med användaren och påverkas av arbetsbelastningen.



Om omgivande temperatur är 0°C eller lägre kan is på utsidan leda till att varningsvisslan inte fungerar. Under sådana förhållanden måste apparatens manometer läsas av oftare.



Vid arbete med andningsapparat som har två flaskor med separata oberoende flaskventiler monterade på bärstället, skall båda flaskorna vara trycksatta med liknande arbetstryck. Öppna alltid båda flaskventilerna när andningsapparaten trycksätts och säkerställ att båda flaskventilerna är öppna vid användning av apparaten.



Vid användning tillsammans med andningsapparat skall dess manometer kontrolleras regelbundet. Ingen aktiv varning avges om luft förbrukas från flaskan på andningsapparaten.



Vid användning med ett Spiroline-bälte avges ingen aktiv varning om luftförsörjningen via luftförsörjningsslangen upphör.

## 2 **TEKNISK BESKRIVNING**

### **SPIROLINE HP Högtryckssystem består av:**

- Distributionspanel (DP1)
- Luftförsörjningsslang
- Midjemonterad bälteskoppling (spiroline-bälte) med ansiktsmask eller andningsapparat
- Slangvinda för luftförsörjningsslang (tillbehör)

Den midjemonterade bälteskopplingen med ansiktsmask eller andningsapparat ansluts till en luftkälla via DP1 med luftförsörjningsslangen.

### **DISTRIBUTIONSPANEL (DP1)**

DP1 omfattar en automatisk skyttelventil, varningsvissla, manometer, adapterslangar samt anslutning till luftförsörjningsslang och luftförråd. Anslutningarna till luftförråden passar både 200 och 300 bar.

Följande tillbehör ingår i DP1:

- ”ÖPPEN”-skylt - Används för att identifiera vilket luftförråd som är i bruk för tillfället.
- Avluftningshandtag - Används för att avlufta enheten
- Karbinhake (2 stk.) - Används för att förankra luftförsörjningsslangen

Om båda adapterslangarna är anslutna, ansluter den automatiska skyttelventilen till det luftförråd som har det högsta trycket.

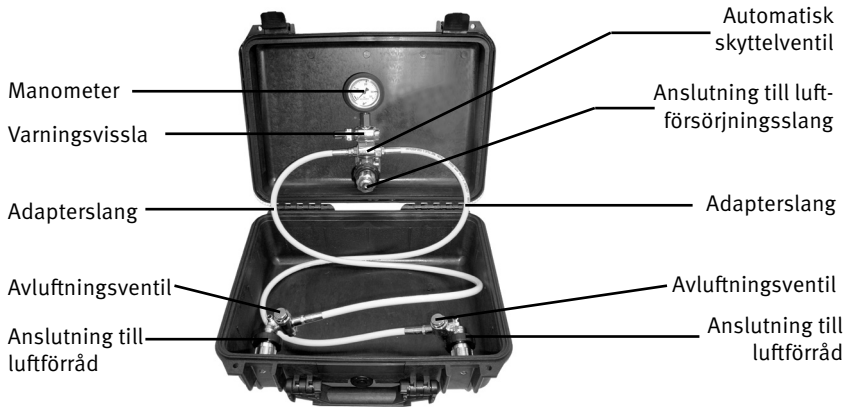
När försörjningstrycket sjunker till 55 bar, hörs varningsvisslan och luftförrådet måste bytas.

Adapterslangarna är utrustade med avluftningsventiler för trycksänkning.

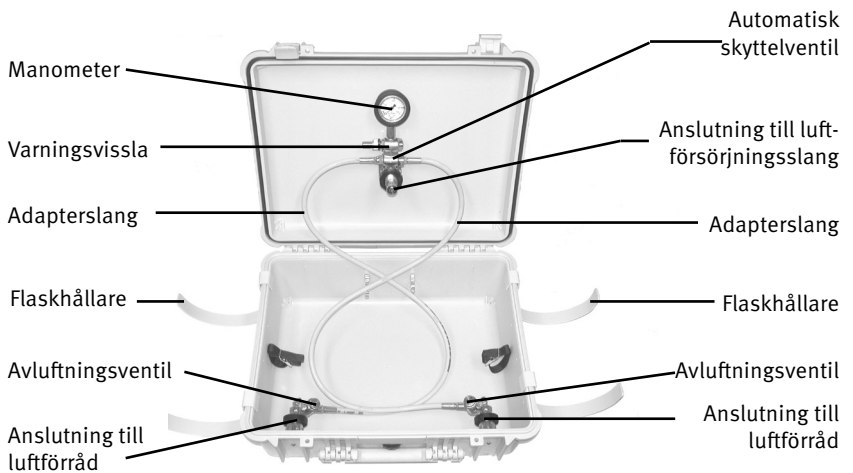
Trycket i luftförrådet som för tillfället används kan avläsas på manometern.

Backventiler förhindrar motflöde vid trycksänkning i systemet.

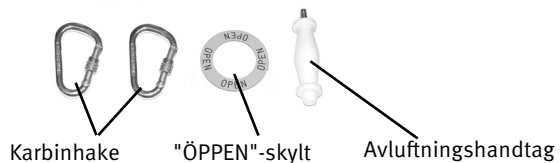
### VERSION 1



### VERSION 2



### TILLBEHÖR



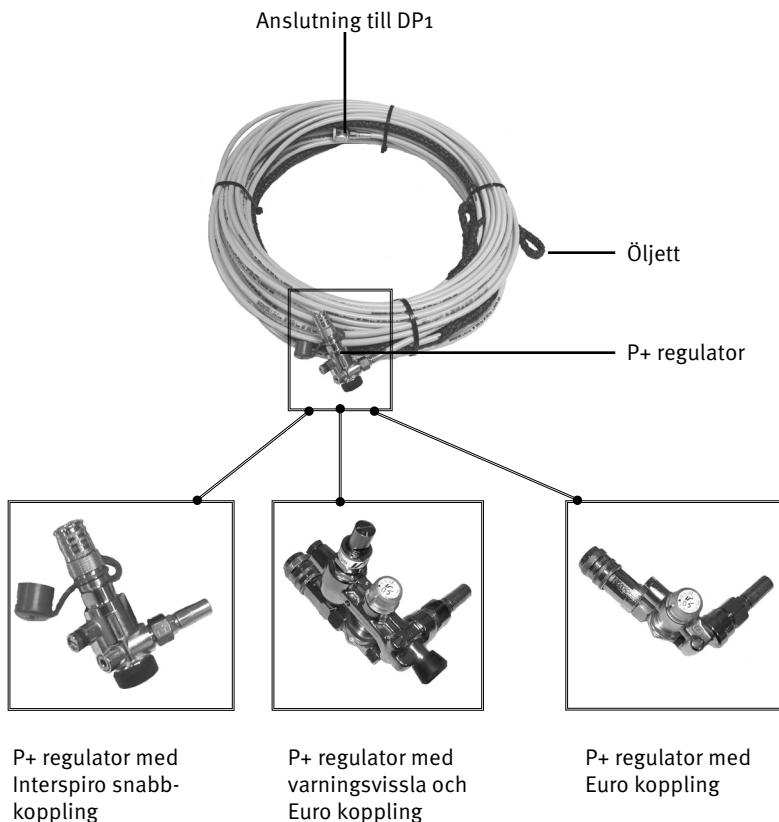
## LUFTFÖRSÖRJNINGSLANG

Spiroline HP-systemet kan användas med en luftförsörjningsslang med maximalt 120 meters längd.

Luftförsörjningsslangen är fäst på användaren med en snabbkoppling via en tryckregulator (P+ regulator) och till distributionspanelen med en koppling som dras åt för hand. De versioner med Interspiro snabbkopplingen på P+ regulatorn har en låsring för att kunna låsa anslutningen mot samlingsstycket på andningsapparaten eller Spiroline-bältet.

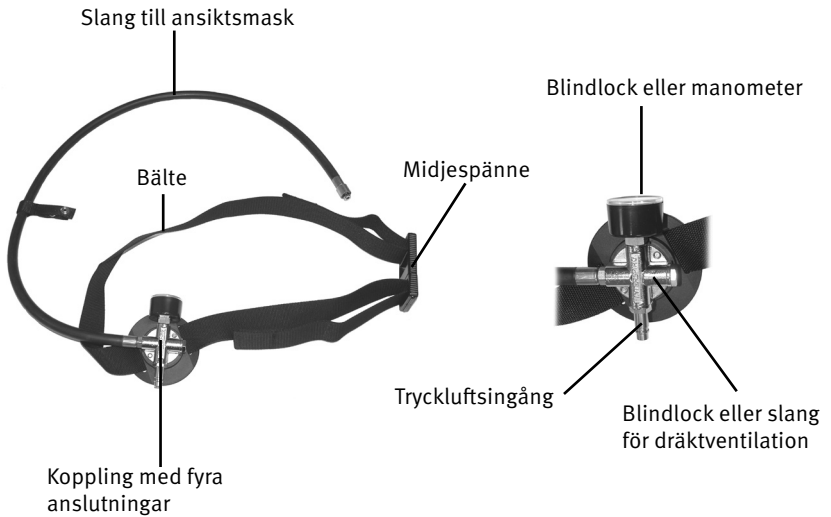
I ändarna på luftförsörjningsslangen finns öljetter fästa för linor eller kopplingar som kan ta upp dragspänningar.

Maximalt arbetstryck är 300 bar.



## SPIROLINE-BÄLTE

Spiroline-bältet består av en koppling med fyra anslutningar monterad på ett bälte med ett midjespänne. Slangen till ansiktsmasken är monterad enligt bilden nedan. En anslutning används som tryckluftsingång och är ansluten till P+ regulatören. I denna anslutning finns en backventil som förhindrar att giftiga gaser tränger in om luftförsörjningsslangen lossas. De två återstående anslutningarna är försedda med blindpluggar eller tillvalet manometer och tillvalet dräktventilationsslang, se bilden nedan.



### **3 FÖRBEREDELSE INFÖR ANVÄNDNING**

#### **FÖRBEREDELSE FÖR ANVÄNDARE AV DISTRIBUTIONSPANEL**

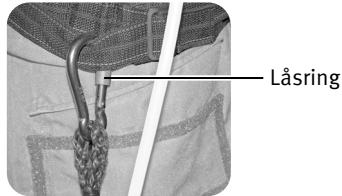
1. Öppna distributionspanellådan och placera den i en position där manometern är lätt att avläsa.
2. Kontrollera att luftförsörjningsslangen är korrekt uppvindad, se instruktionerna i avsnitt 5.
3. Anslut luftförsörjningsslangen till distributionspanel med kopplingen som dras åt för hand.
4. Förankra luftförsörjningsslangen med öljetten på ett säkert sätt till ett fast föremål, använd gärna en karbinhake för detta ändamål. Förankringen på luftförsörjningsslangen skall ske på ett sådant sätt att ändkopplingarna och niplarna inte böjs eller belastas oavsett belastningsriktningen.
5. Anslut en adapterslang till ett luftförråd med tillräckligt tryck.
6. Anslut den andra adapterslangen till ett luftförråd med tillräckligt tryck.
7. Stäng avluftningsventilerna på adapterslangarna.
8. Öppna ventilen på ett av luftförråden och placera ”ÖPPEN”-skylten på detta luftförråd. Kontrollera att varningsvisslan ljuder och sedan slutar ljuda när trycket stiger över 60 bar.
9. Kontrollera att luftförrådet har tillräckligt tryck genom att läsa av manometern.

*Sedan användaren av andningsapparaten eller spiroline-bältet har utfört sina förberedelser (se nedan), skall följande göras:*

10. Kontrollera att snabbkopplingen på P+ regulatorm är säkert ansluten till Spiroline-bältet eller andningsapparaten.
11. Kontrollera att öljetten på luftförsörjningsslangen är säkert ansluten till användaren.
12. Vid användning tillsammans med en andningsapparat måste du kontrollera att flaskventilen på andningsapparaten är helt öppen.

## FÖRBEREDELSE FÖR ANVÄNDARE AV ANDNINGSSAPPARAT

1. Förbered och ta på apparaten enligt instruktionerna för andningsapparaten.
2. För in en av karbinhakarna i öljetten på luftförsörjningsslangen. Förankra karbinhaken i andningsapparatsens midjebälte enligt bild. Säkra karbinhaken genom att skruva fast låsringen. Förankringen av luftförsörjningsslangen skall ske på ett sådant sätt att ändkopplingarna och nipplarna inte böjs eller belastas oavsett belastningsriktningen.



3. Kontrollera att luftförsörjningsslangen är trycksatt. Anslut snabbkopplingen på P+ regulatortill andningsapparaten. För versioner med Interspiro snabbkoppling, lås den med en låsring.
4. Öppna flaskventilen på andningsapparaten.

---

**OBS!** ANDNINGSSAPPARATENS FLASKVENTIL SKALL VARA ÖPPEN UNDER ANVÄNDNING. P+ REGULATORN HAR ETT HÖGRE SEKUNDÄRTRYCK ÄN DET NORMALA LUFTFÖRSÖRJNINGSTRYCKET FRÅN ANDNINGSSAPPARATEN. DETTA MEDFÖR ATT LUFTFÖRSÖRJNINGEN FRÅN ANDNINGSSAPPARATEN ÄR STÄNGD VID NORMAL ANVÄNDNING.



OM INTE P+REGULATORN HAR EN VARNINGSVISSLA SÅ GES DET INGEN AKTIV VARNING TILL ANVÄNDAREN NÄR LUFTEN TAS FRÅN ANDNINGSSAPPARATENS/QS BAIL-OUT LUFTFÖRRÅD, VARFÖR MANOMETERN PÅ ANDNINGSSAPPARATEN/QS BAIL-OUT MÅSTE KONTROLLERAS REGELBUNDET.

---

## FÖRBEREDELSE FÖR ANVÄNDARE AV SPIROLINE-BÄLTET

1. Lossa spännet och bältet.
2. Ta på bältet och tryck ihop midjespännet.
3. Ta tag i spännbanden och dra åt dem tills bältet sitter bekvämt.
4. Skruva ihop andningsslangen från Spiroline-bältet med andningsventilen.
5. Förbered och ta på ansiktsmasken enligt instruktionerna till ansiktsmasken.
6. Fäst öljetten på luftförsörjningsslangen med den ena karbinhaken på lämpligt sätt. Förankringen av luftförsörjningsslangen skall ske på ett sådant sätt att ändkopplingarna och nipplarna inte böjs eller belastas oavsett belastningsriktningen.
7. Kontrollera att luftförsörjningsslangen är trycksatt. Anslut snabbkopplingen på P+ regulatortill Spiroline-bältet. För versioner med Interspiro koppling lås den med låsringen.

## 4 VID ANVÄNDNING - INSTRUKTIONER FÖR SKÖTSEL AV DISTRIBUTIONSPANEL

- Använd "ÖPPEN"-skylten för att identifiera det luftförråd som är i bruk för tillfället.
- Kontrollera luftförrådets tryck på manometern.
- Kontrollera att luftförsörjningsslangen inte har några kinkningar.
- Förbered omkoppling till det andra luftförrådet.
- Öppna det andra luftförrådet när varningsvisslan ljuder.

## 5 SKÖTSEL AV LUFTFÖRSÖRNINGSSLANG

För att undvika risken för hinder i flödet är det viktigt att vinda upp luftförsörjningsslangen på ett sådant sätt att inga kinkningar eller vridningar förekommer. Den skall vindas upp i åttor eller över-/undertörm (halvslag). Se till att den vindas upp utan dragspänningar i slangriktningen. Interspiro erbjuder en slangvinda som underlättar uppvinningen av luftförsörjningsslangen.

Luftförsörjningsslangen skall trycksättas med minst 50 bar vid uppvinning. Första gången en slang används kan den vrida sig cirka fyra varv när den trycksätts. Se till att den vindas upp utan dragspänningar i slangriktningen. Om slangens vindas upp utan slangvinda skall vindningsdiametern vara större än 500 mm. När slangens har vindats upp skall den säkras med remmar så att den inte kan trassla sig. Slangvindan innehåller sådana remmar.

När slangens vindas ut skall alla vridningar och kinkningar avlägsnas.

Om luftförsörjningsslangen belastats med mer än 1000 N, vilket normalt inte kan ske för hand, skall den bytas.

## 6 EFTER ANVÄNDNING

1. Vinda upp luftförsörjningsslangen i enlighet med instruktionerna i avsnitt 5.

### Användare av andningsapparat

- 2A. Stäng flaskventilen på andningsapparaten och ta av ansiktsmasken i enlighet med instruktionerna för andningsapparaten.
- 2B. Koppla loss P+ regulatören från andningsapparaten.
- 2C. Ta av andningsapparaten och avlufta enligt instruktionerna för andningsapparaten.

### Användare av Spiroline-bälte

- 2A. Ta av ansiktsmasken enligt instruktionerna för ansiktsmasken.
- 2B. Koppla loss P+ regulatören från Spiroline-bältet.
- 2C. Lossa midjeremmens spänne genom att trycka i dess mitt.
- 2D. Ta av bältet.
- 2E. Aktivera säkerhetstrycket på andningsmasken för att avlufta.



## Användare av Distributionpanel

*Enheten skall rengöras efter varje användningstillfälle enligt instruktionerna i avsnitt 7. Om rengöringen utförs direkt efter användning skall detta göras före punkterna 3-6 nedan.*

1. Kontroll av backventil i distributionspanelen och luftförsörjningsslangen: Anslut ett luftförråd med minst 100 bars tryck till den ena adapterslangen och anslut luftförsörjningsslangen till distributionspanelen. Lossa den andra adapterslangen från distributionspanelen (den ska inte vara ansluten till ett luftförråd).
2. Öppna luftförrådet och kontrollera att inget läckage hörs från den icke anslutna adapterslangens eller från P+ regulatorns snabbkoppling.
3. Stäng luftförrådets ventiler och avlufta genom att ansluta avluftningshandtaget till P+ regulatorn. Öppna avluftningsventilerna på adapterslangarna.
4. Stäng avluftningsventilerna och lossa adapterslangarna samt placera dem i distributionspanelen.
5. Upprepa kontrollen enligt ovan med ett luftförråd anslutet till den andra adapterslangen.
6. Lossa luftförsörjningsslangen. Skruva i den gängade änden av avluftningshandtaget i luftförsörjningsslangens DP1-koppling och anslut den andra änden till P+ regulatorn.

Kontrollera att låskragen på P+ regulatorns snabbkoppling är lättmanövrerad och dammfri. Anslut och kontrollera att snabbkopplingen låser fast korrekt.

Inspektera slangen avseende förändringar i form och färg. Om det finns misstankar om kemisk påverkan eller överbelastning skall en detaljerad inspektion utföras.

## 7 RENGÖRING

1. Rengör och desinficera andningsapparaten/ansiktsmasken enligt instruktionerna till andningsapparaten/ansiktsmasken.
2. Trycksätt luftförsörjningsslangen till minst 65 bar.

---

**OBS!** SE TILL ATT LUFTFÖRSÖRJNINGSSLANGEN ÄR TRYCKSATT UNDER RENGÖRINGEN FÖR ATT FÖRHINDRA ATT VATTEN TRÄNGER IN.

---

3. Rengör luftförsörjningsslangen med en rengöringslösning bestående av 10 % såpa och rent vatten. Kraftigt förorenade delar kan rengöras med tvålpasta eller flytande såpa.
4. Kontrollera att det inte finns några läckage i luftförsörjningsslangen, läckage indikeras med bubblor när slangen sänks ned i vatten.
5. Torka delarna.
6. Vinda upp luftförsörjningsslangen enligt instruktionerna i avsnitt 5.
7. Avlufta luftförsörjningsslangen enligt instruktionerna i avsnitt 6.

## 8 FÖRVARING OCH TRANSPORT

Förvaras i en mörk, torr och dammfri miljö. Får inte utsättas för deformerande tryck.

Se instruktionerna för andningsapparaten och ansiktsmasken för ytterligare förvaringsinstruktioner.

---

**OBS!** OM ENHETEN FÖRVARAS VID TEMPERATURER UNDER FRYSPUNKTEN MÅSTE DEN TORKAS NOGGRANT FÖRE FÖRVARING.

---

Under transport måste produkten vara väl skyddad i sin originalförpackning eller likvärdigt förpackningsmaterial.

## 9 SERVICE OCH UNDERHÅLL

Andningsapparaten och ansiktsmasken skall ges service och testas enligt instruktionerna till respektive enhet.

### EN GÅNG PER ÅR:

Byte av utbytesdelar för flaskanslutning i distributionspanelen och P+ regulatorn.

### VARJE ÅTTONDE ÅR:

Byte av adapterslangar och luftförsörjningsslangar.

### VAR TIONDE ÅR:

Byte av utbytesdelar i distributionspanelen och P+ regulatorn.





---

**INTERSPIRO**

---

Keeps You Breathing