

**Product news****Service advice**

Divator breathing valve

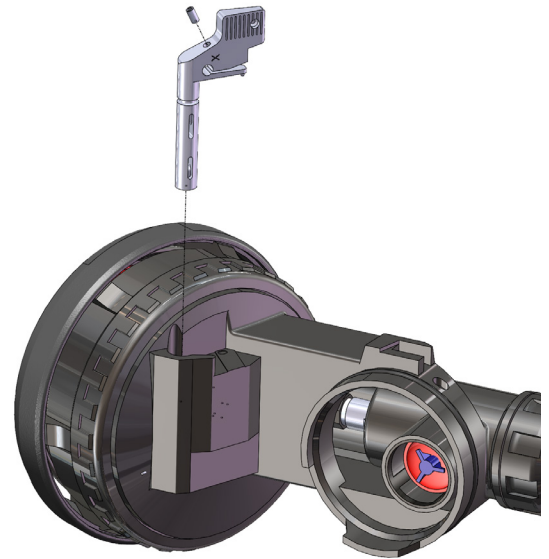
We are introducing two product improvements on Divator breathing valves produced from January 1, 2024

Lever with adjustment screw

The lever on breathing valves with safety pressure and emergency breathing valve (octopus) gets an adjustment screw. The screw can be used to set the force needed to snap the lever out of its locked position. If the lever snaps off too easily, causing a problem in use, the screw is used to lock the lever tighter. If there is no need to adjust the lever, the screw is left without action.

The screw is adjusted with a 0.9 mm hex key (32409-51) by a service technician certified at Level 3. After adjustment, the valve must undergo a performance test on a test apparatus approved by Interspiro.

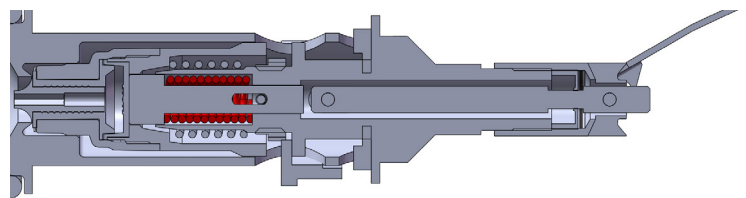
Lever with adjustment screw, item number 32408-51, replaces previous levers and is fully backwards compatible. All other part numbers for valves, service kits and spare parts are unchanged and are delivered in the new version on existing part numbers.



Safety valve spring

To ensure problem-free use together with the surface supply system DP₁, we change to a stronger spring for the safety valve function. This change is introduced on all variants of the Divator breathing valve. The new spring prevents the higher supply pressure of the DP₁ to cause breathing valves to free flow when used with surface supply.

All existing part numbers are retained and supplied with a stronger spring. The introduction does not affect use or handling of the breathing valves, but it does change the test value of the safety valve. The maximum value increases from 20 bar to 23 bar and the new approved range is 14-23 bar.



For the "Spiromatic Test" the change is introduced with a new revision of the test protocols, available in our eLearning

For the "Spirocheck", the test parameters need to be updated by Interspiro.

For the "Labmatic" the test parameters need to be updated.

To get help adjusting the test parameters in Spirocheck, register a case on our website under Service & Support / Case registration. Enter "Updated test parameters Divator breathing valve" as the description of your case. Direct link:

<https://interspiro.com/en-gb/service-support/case-registration>